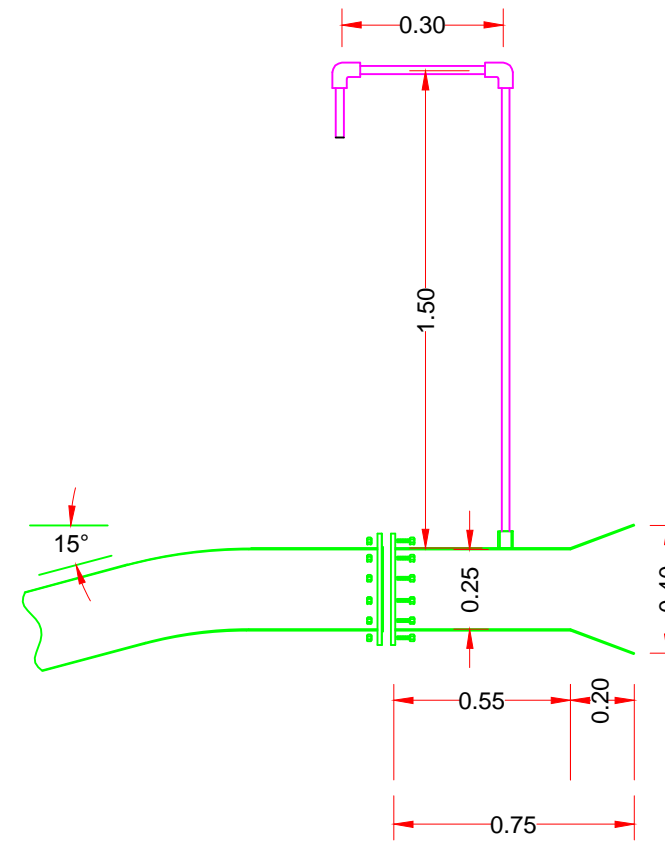
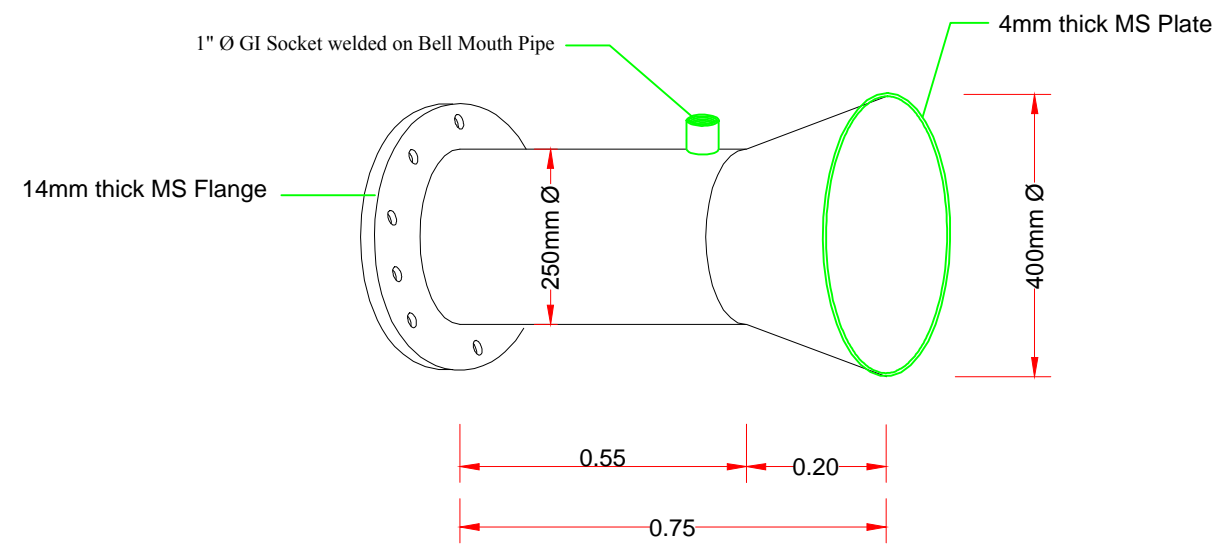


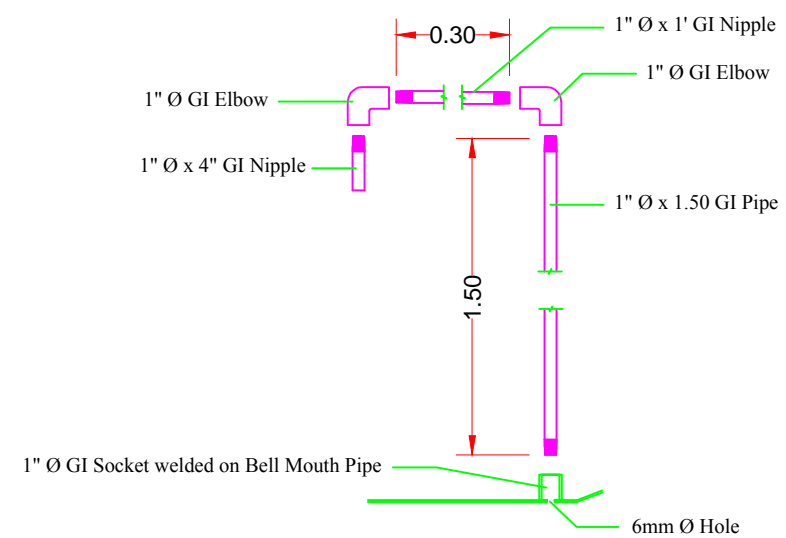
SECTION OF PENSTOCK INLET AREA



BELL MOUTH & AIR VENT PIPE



BELL MOUTH



AIR VENT PIPE

Developer
UN HABITAT MYANMAR, CHIN STATE, TEDIM TOWNSHIP
DONLUI MICRO HYDROPOWER PROJECT (30 kW)
Suangzang Village, Tedim Township, Chin State, Myanmar

Consultant
GORKHA HYDRO & ENGINEERING (P) LTD
 (Hydro Promoter, Consulting Engineers, Architect & Planner)
 Narephat, Jadibuti, Kathmandu, Nepal
 T : 01-6924075
 E : gorkhaengineering@hotmail.com
 W : gorkhydro.com

REV	DATE	DESCRIPTION OF REVISION	APPROVED BY
D			
C			
B			
A			

Designed by : RCA
 Drawn by :
 Checked by :
 Approved by :

SCALE:
NOT TO SCALE

BELL MOUTH PIPE
AIR VENT PIPE

SHEET NO.	01 / 01
DWG NO.	DMHP- 16
DATE	Feb, 2018