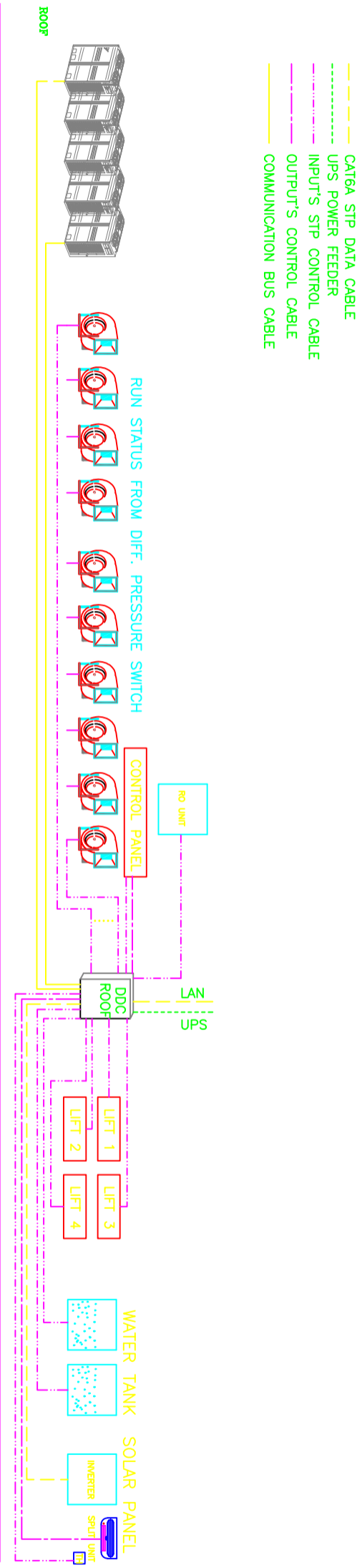


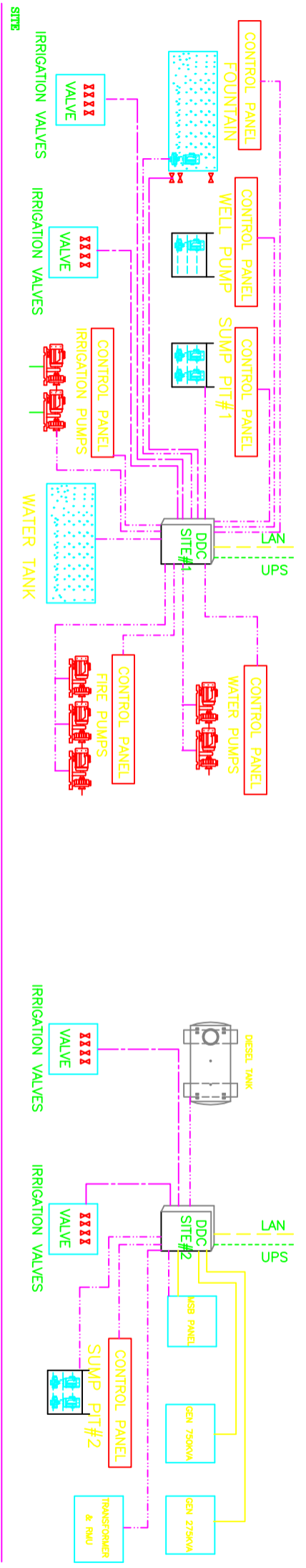
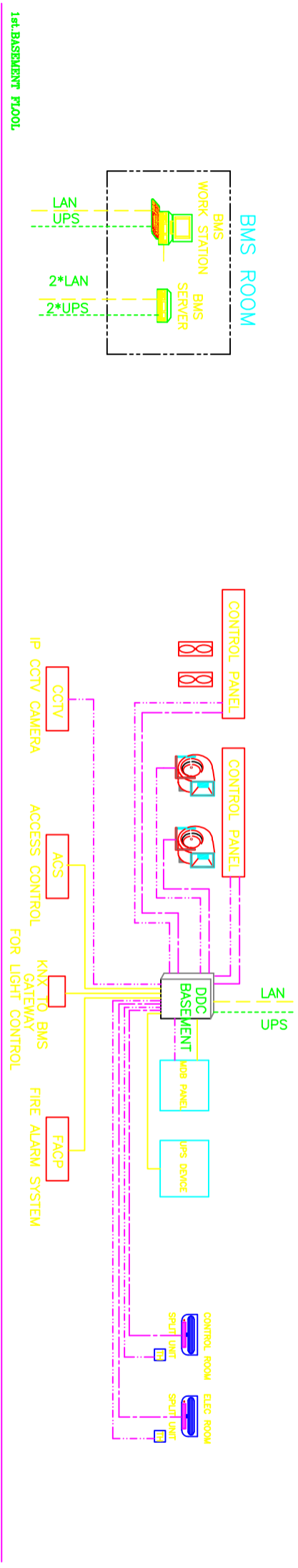


**FUNDED BY :**  
**THE KINGDOM OF SAUDI ARABIA**  
**THROUGH THE SAUDI FUND FOR**  
**DEVELOPMENT (SFD)**



**FIRST FLOOR**

**GROUND FLOOR**



**BMS SYSTEM RISER DIAGRAM 1**

<b>CLIENT:</b>		<b>CONCIL. OF THE ARAB ORTHODOX CHURCH COMMITTEE - GALZA</b>	
<b>EMPLOYER:</b>		<b>UNITED NATIONS RELIEF AND WORKS AGENCY (UNRWA) THROUGH UNITED NATIONS DEVELOPMENT PROGRAMME (UNDP/PAPP)</b>	
<b>CONSULTANT:</b>		<b>TECHNICAL ENGINEERING CONSULTING COMPANY</b>	
<b>PROJECT TITLE:</b>			
Reconstruction and repair works of more than 150 effected houses for non-refugees and Rehabilitation and Furniture for five field playgrounds and a culture center.			
Lot # 8: Rehabilitation and Furnishing the Arab Orthodox Cultural Center.			
<b>DRAWING TITLE:</b>			
BMS SYSTEM RISER DIAGRAM 1			
<b>PREPARED BY</b>	<b>SCALE</b>	<b>DRAWING NO.</b>	
TEC	1:100	B-69	
<b>CHECKED BY</b>	<b>APPROVED BY</b>	<b>SERIAL NO.</b>	
TEC	UNDP		
<b>DRAWN BY</b>	<b>DATE</b>		
UNDP	Jan. 2018		