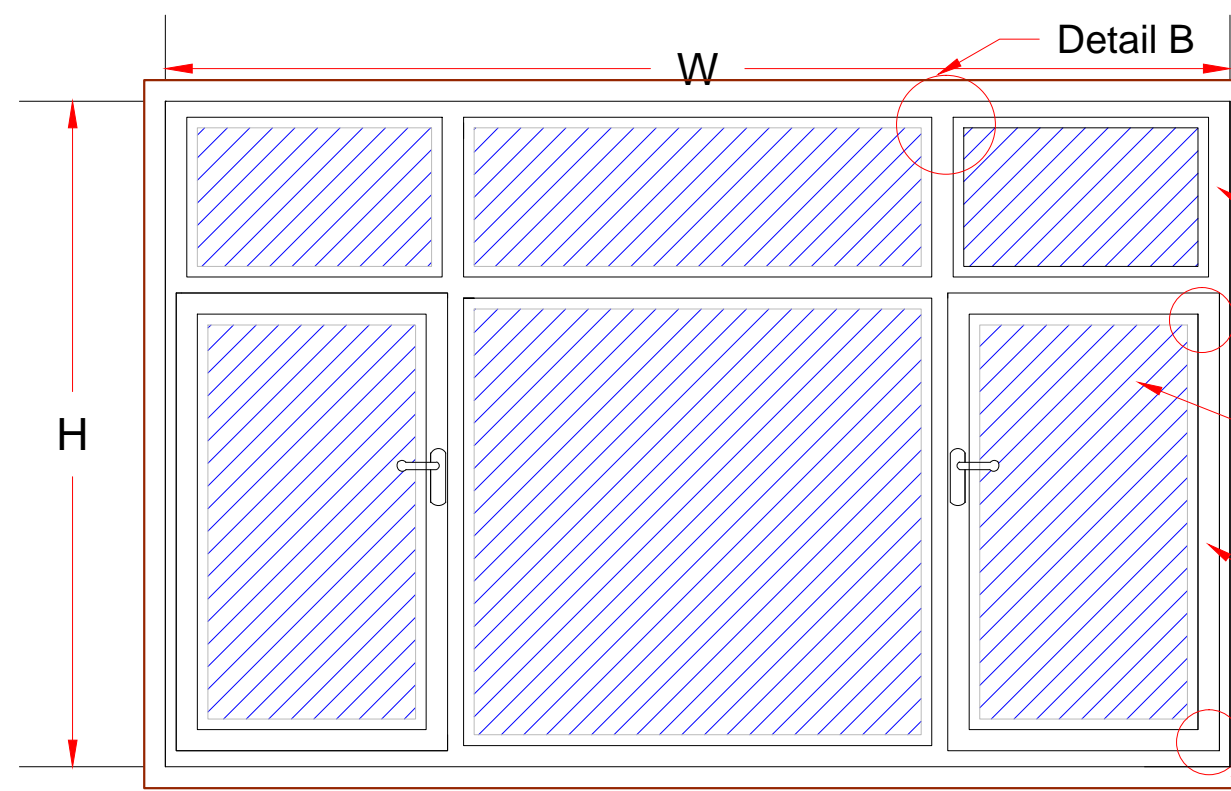
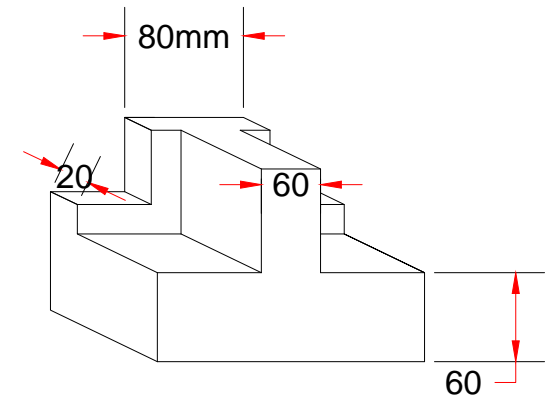
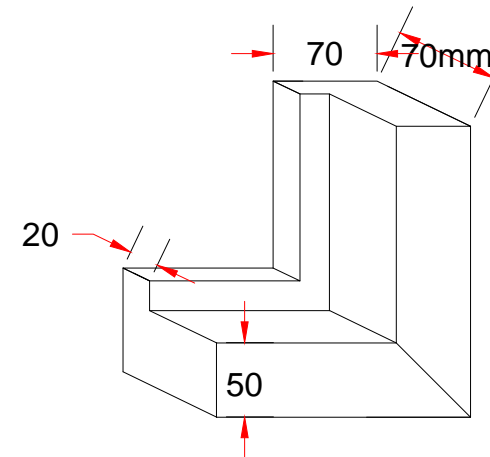


Steel bar 1*1 cm

Square Tube 40*20*2 mm



U Channel 3 inch 2mm to be installed in the wall

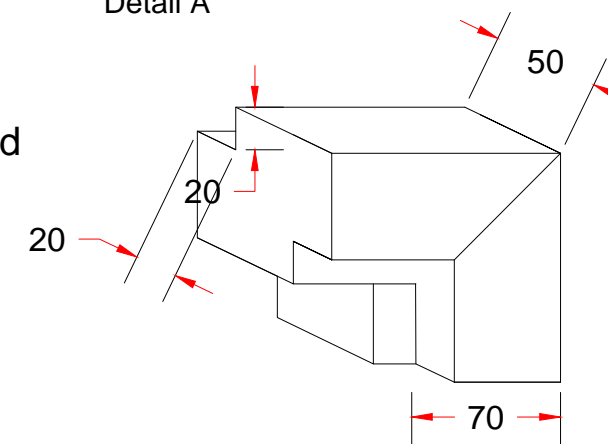
Window Frame 7*7 cm

Detail A

Glass 6mm

window door frame

Detail A



Detail of the PVC Window W*H

Typical drawings for Diyala School

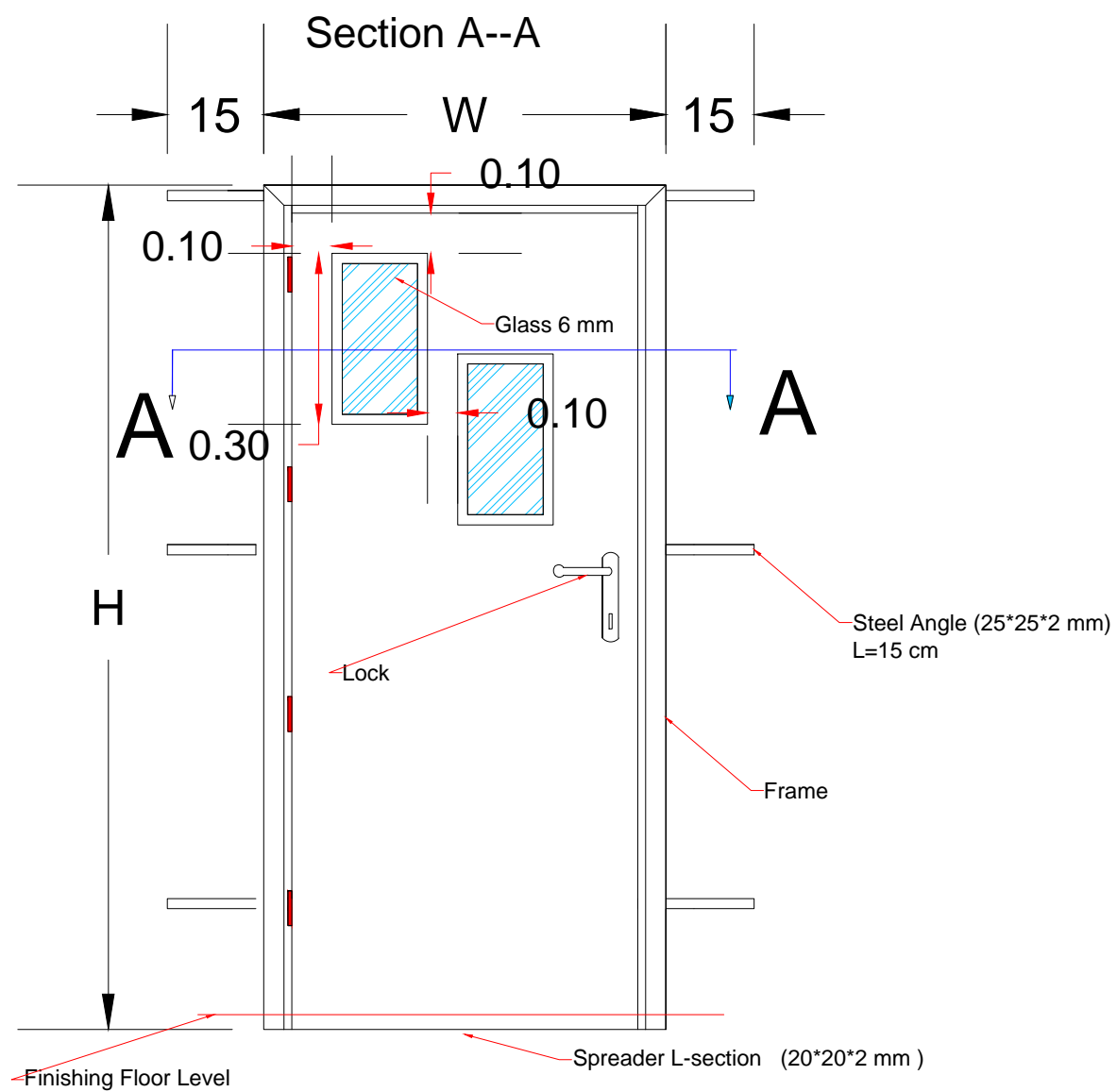
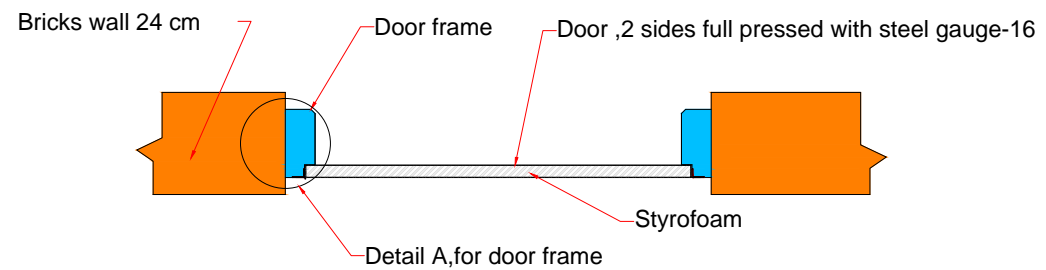
Drawn by: Eng Azad Abdulkareem

Sheet Title : Details for PVC Window

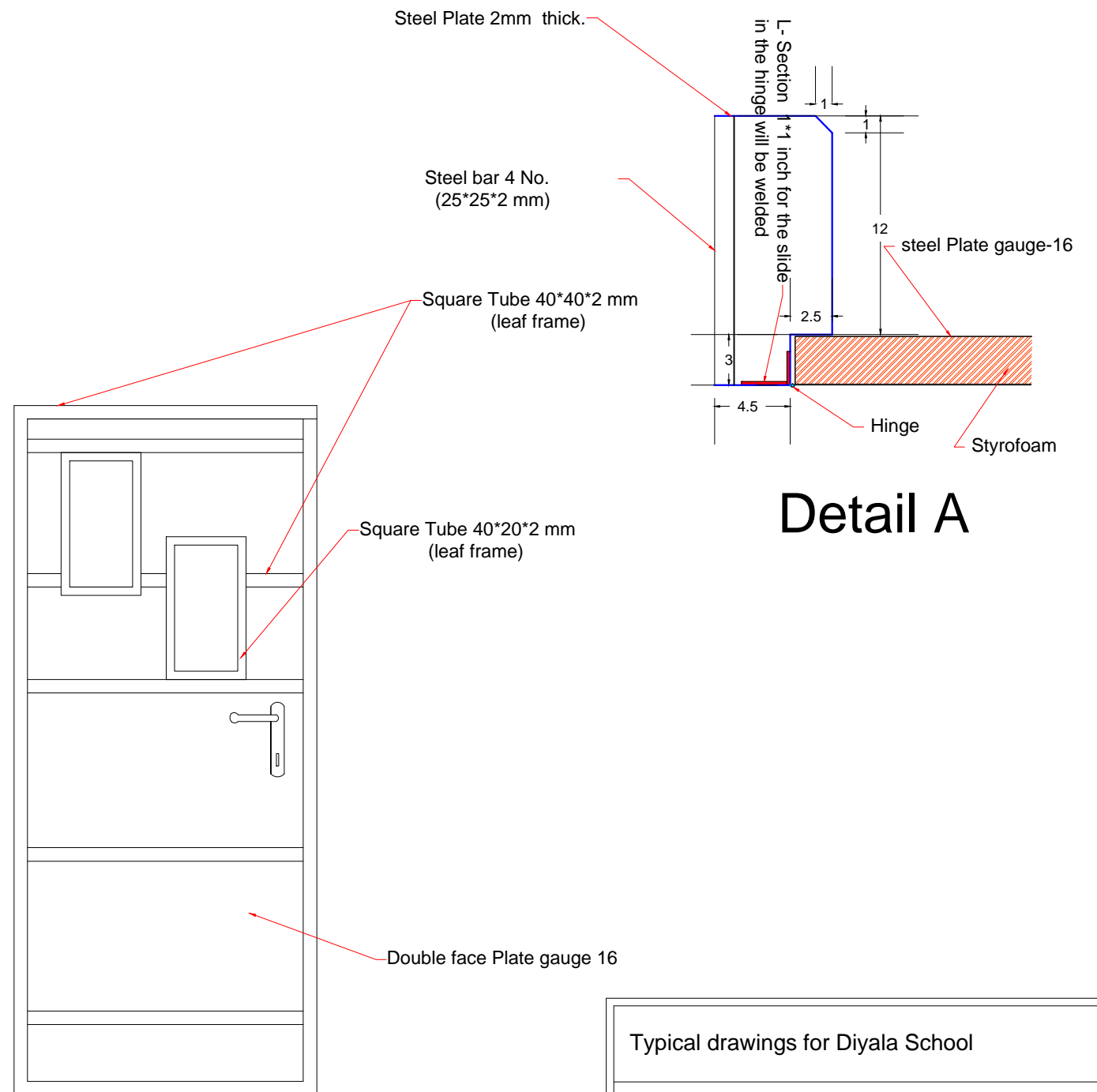
Scale NTS

Date

DWG No. 22

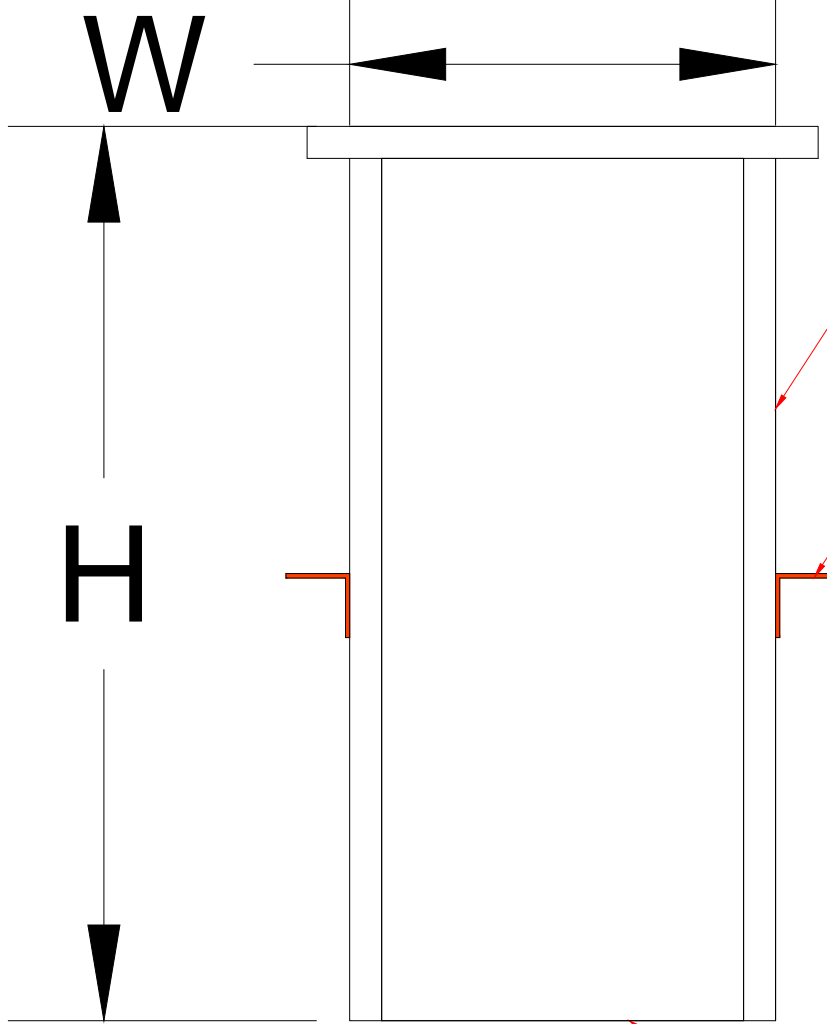
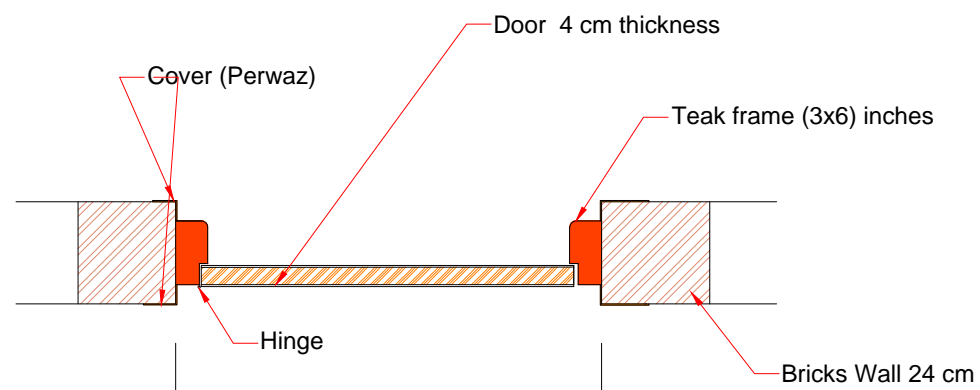


Single Steel Frame

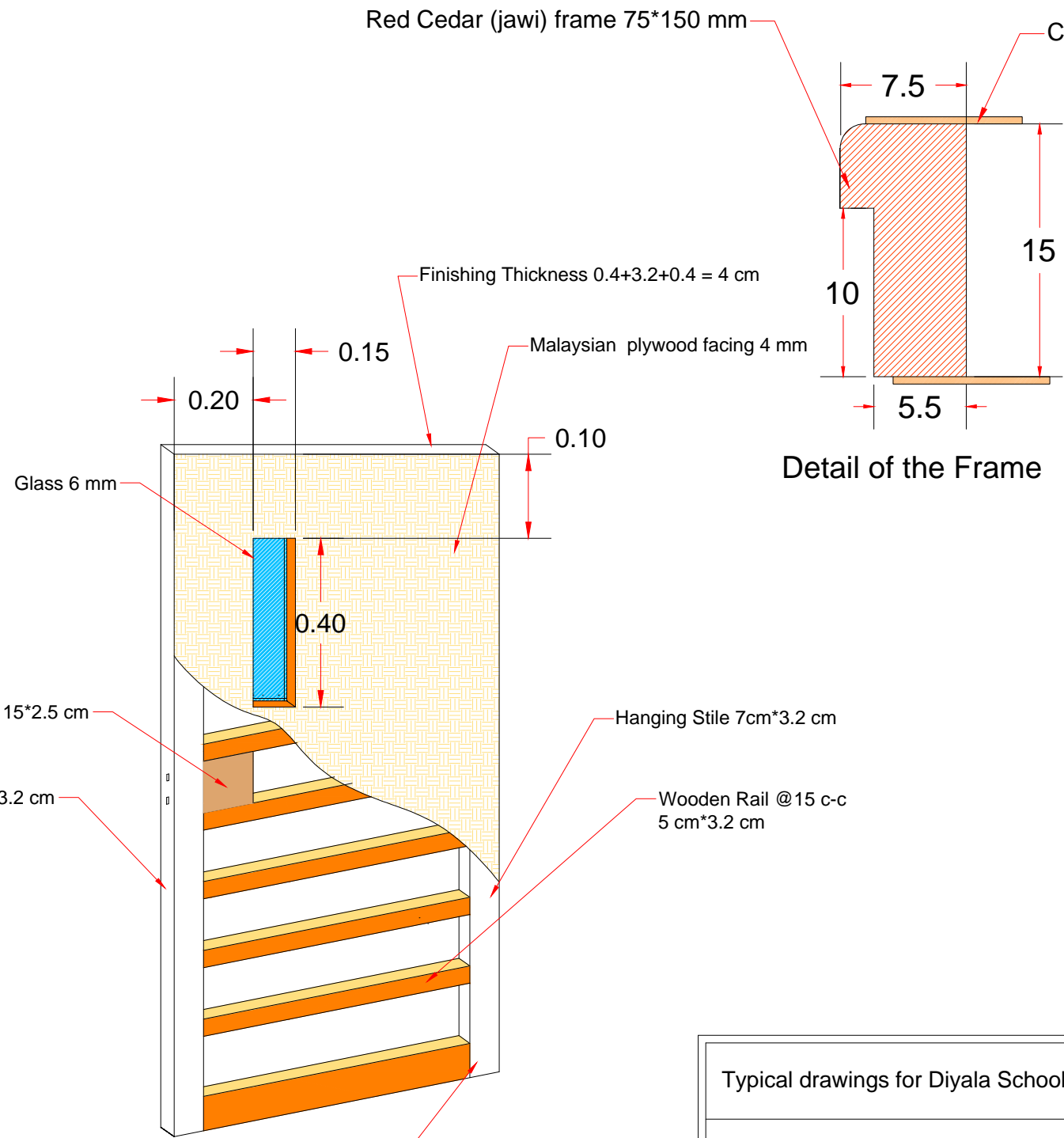


Detail A

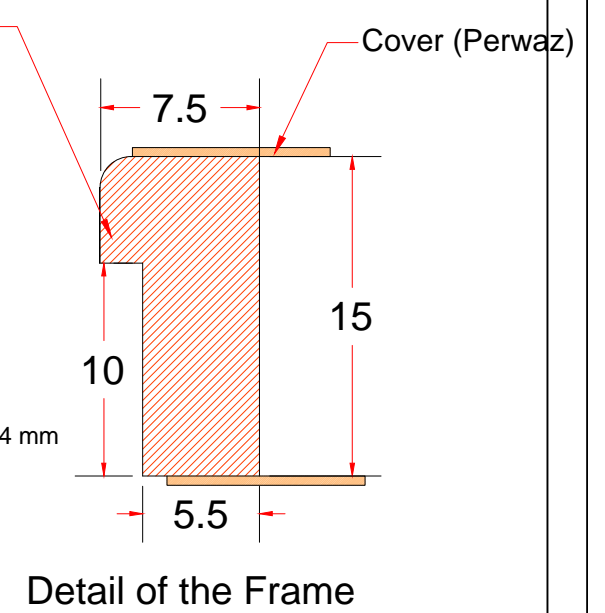
Typical drawings for Diyala School		
Drawn by: Eng Azad Abdulkareem		
Sheet Title : Details of Single Steel Door		
Scale NTS	Date	DWG No. 23



Single Wooden Frame

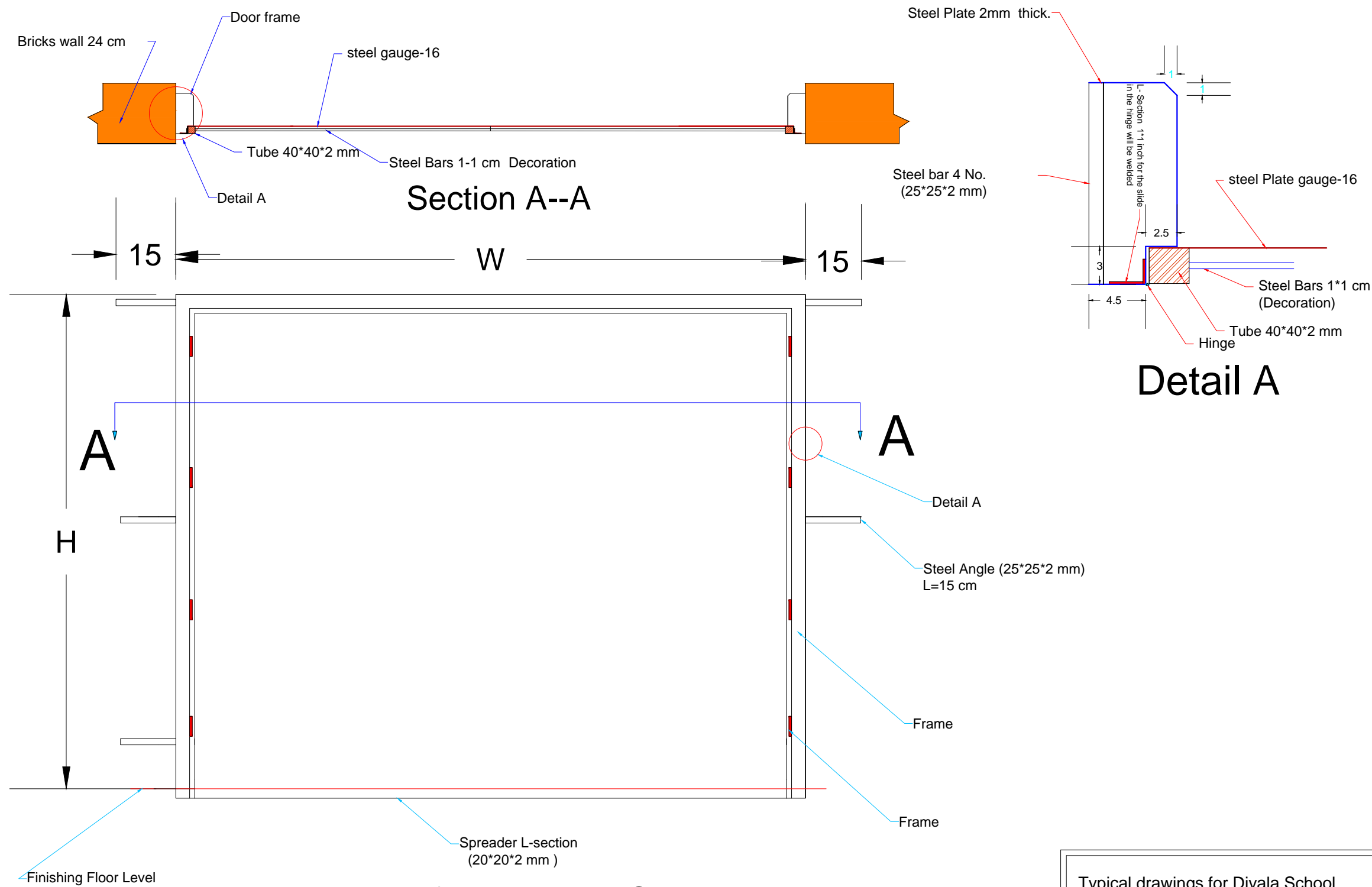


Skeleton framed flush door



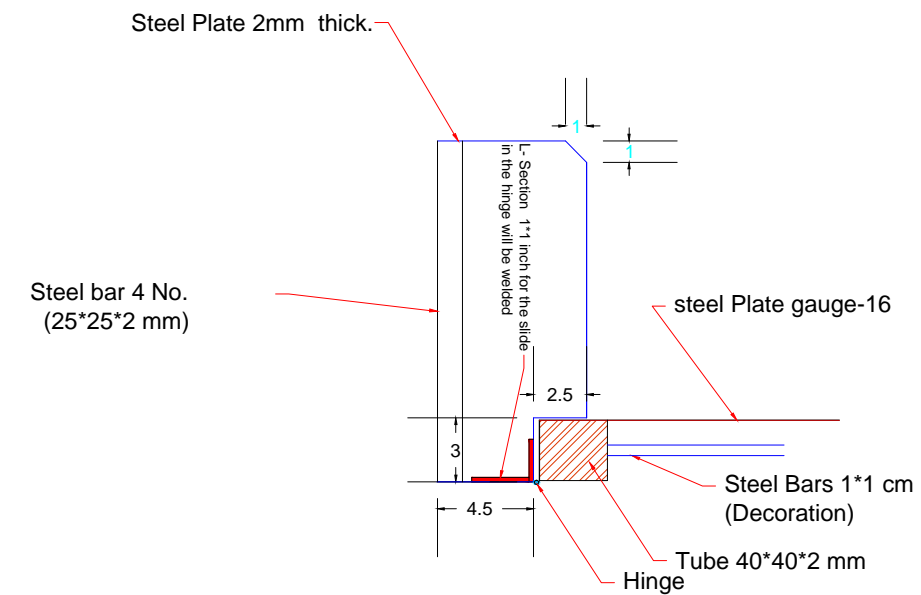
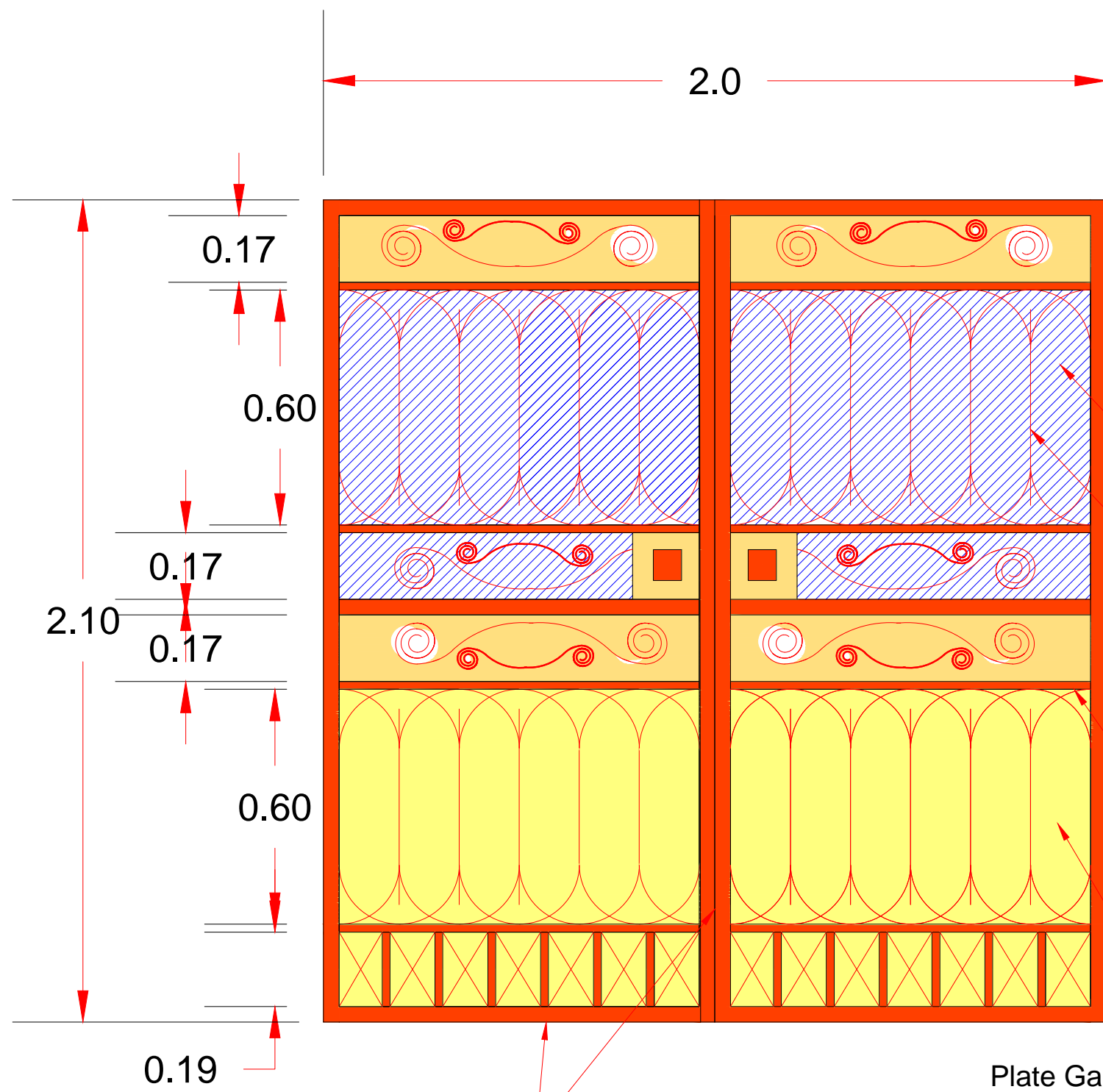
Detail of the Frame

Typical drawings for Diyala School		
Drawn by: Eng Azad Abdulkareem		
Sheet Title : Details of Wooden Door		
Scale NTS	Date	DWG No. 24



Detail of the Double Steel Frame

Typical drawings for Diyala School		
Drawn by: Eng Azad Abdulkareem		
Sheet Title : Details of Frame of Internal Double Steel Door (half glazed)		
Scale NTS	Date	DWG No. 25



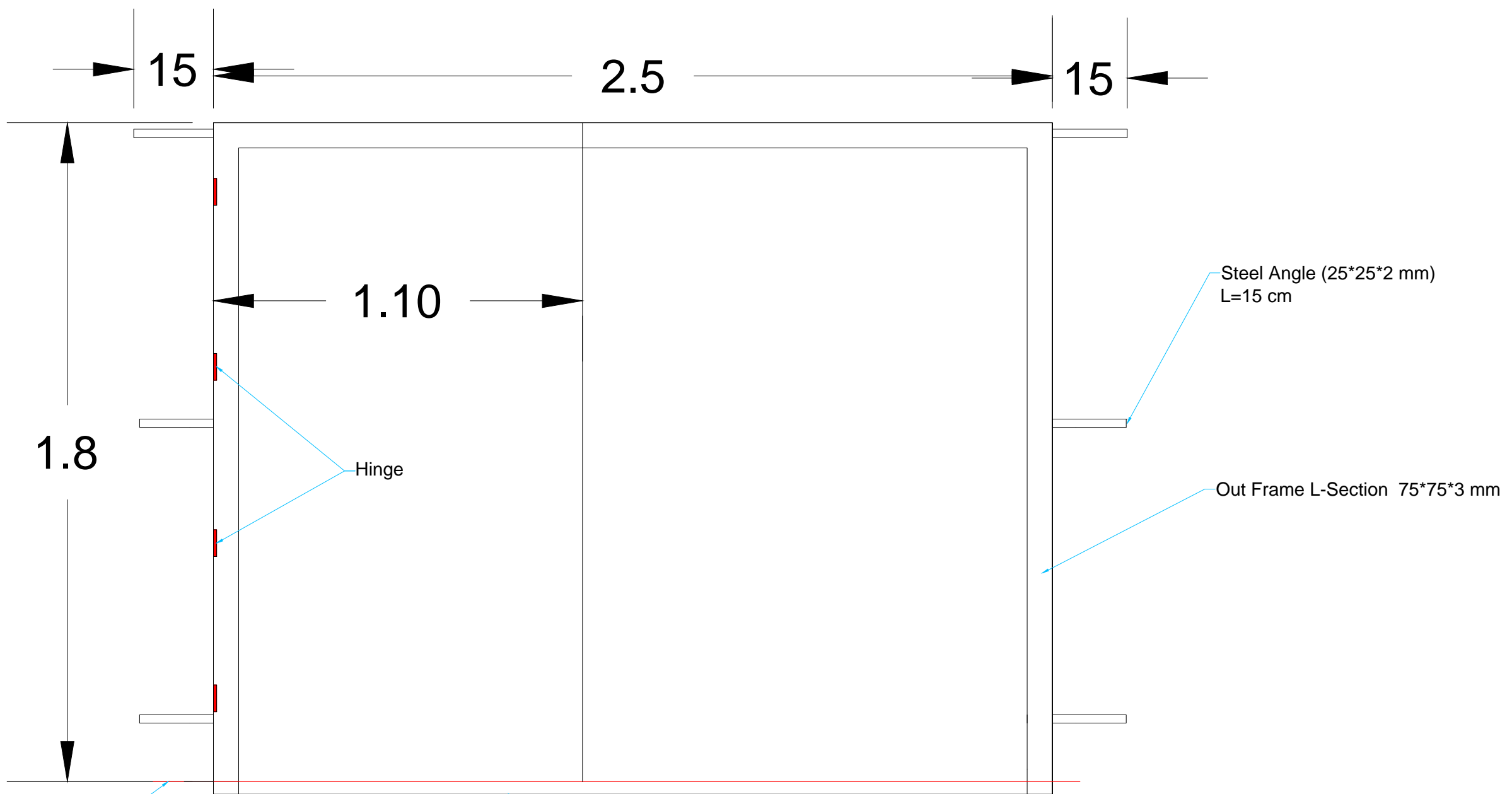
Detail A

Square Tube 40*40*2 mm

Plate Gage 16

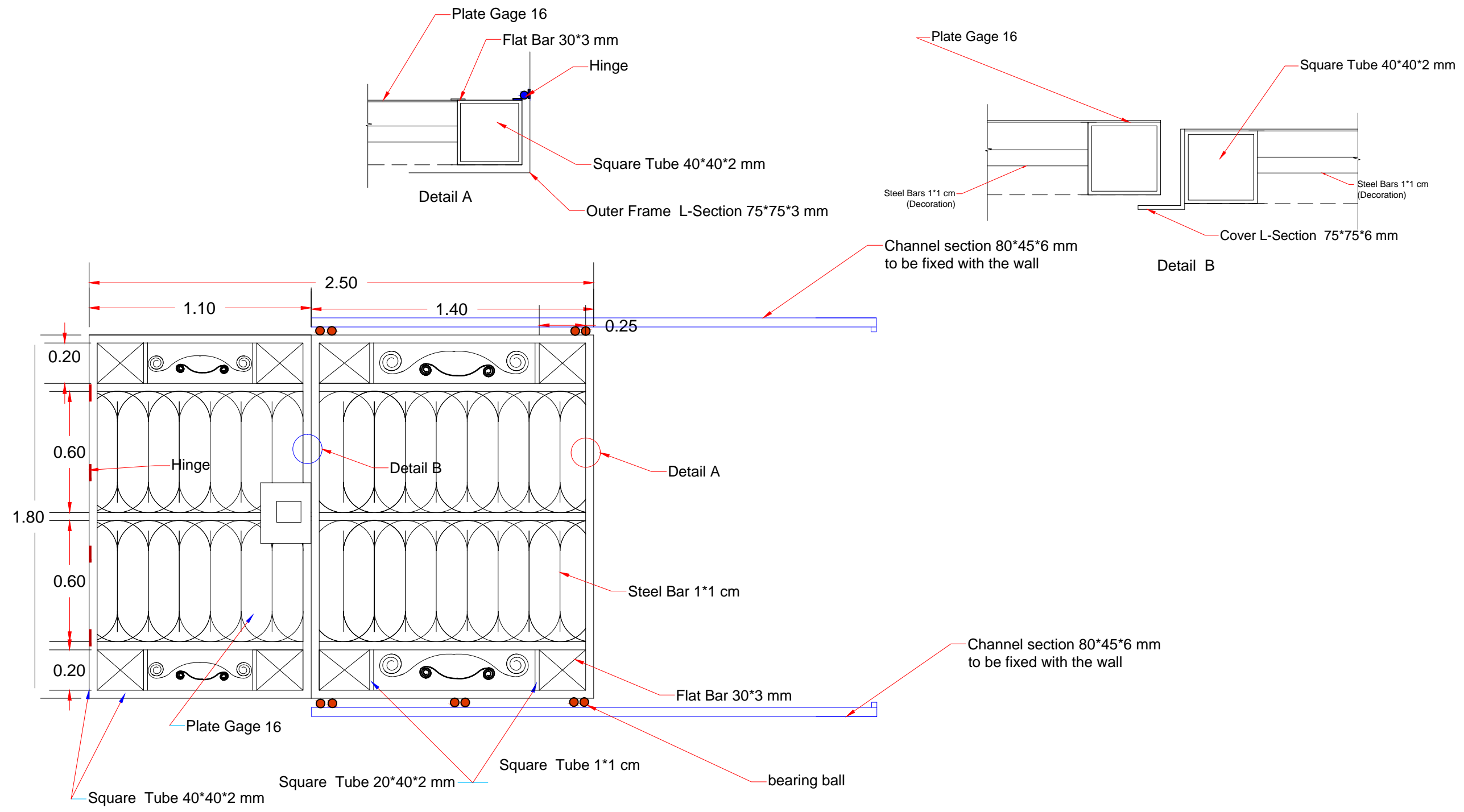
- Glass 4 mm
- square steel bar 1*1 cm s
- Square Tube 20*40*2 mm

Typical drawings for Diyala School		
Drawn by: Eng Azad Abdulkareem		
Sheet Title : Details of Internal Double Steel Door (half glazed)		
Scale NTS	Date	DWG No. 26

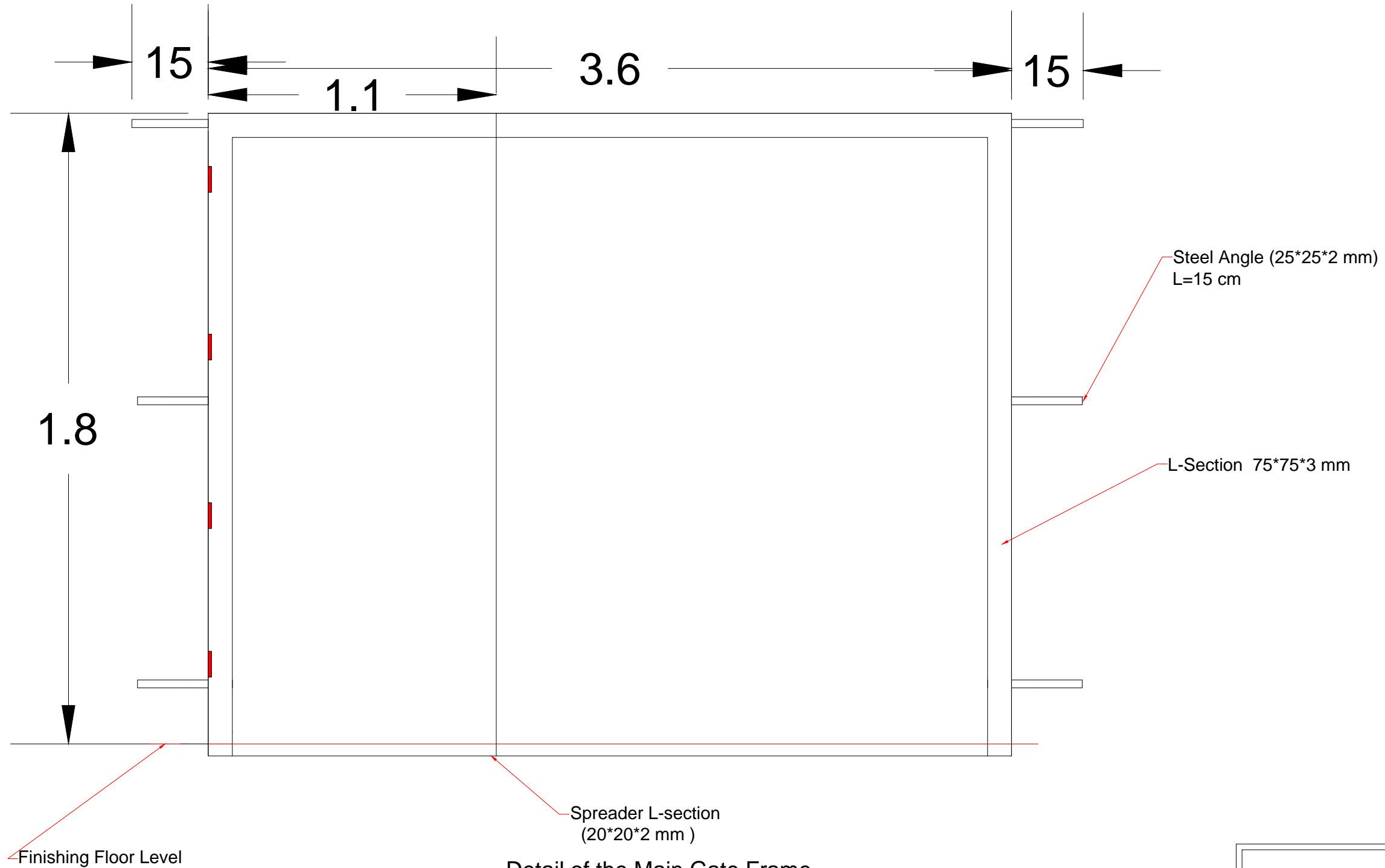


Detail of the Main Gate Frame

Typical drawings for Diyala School		
Drawn by: Eng Azad Abdulkareem		
Sheet Title : Detail of the Main Gate Frame (2.5*1.8)m		
Scale NTS	Date	DWG No. 27

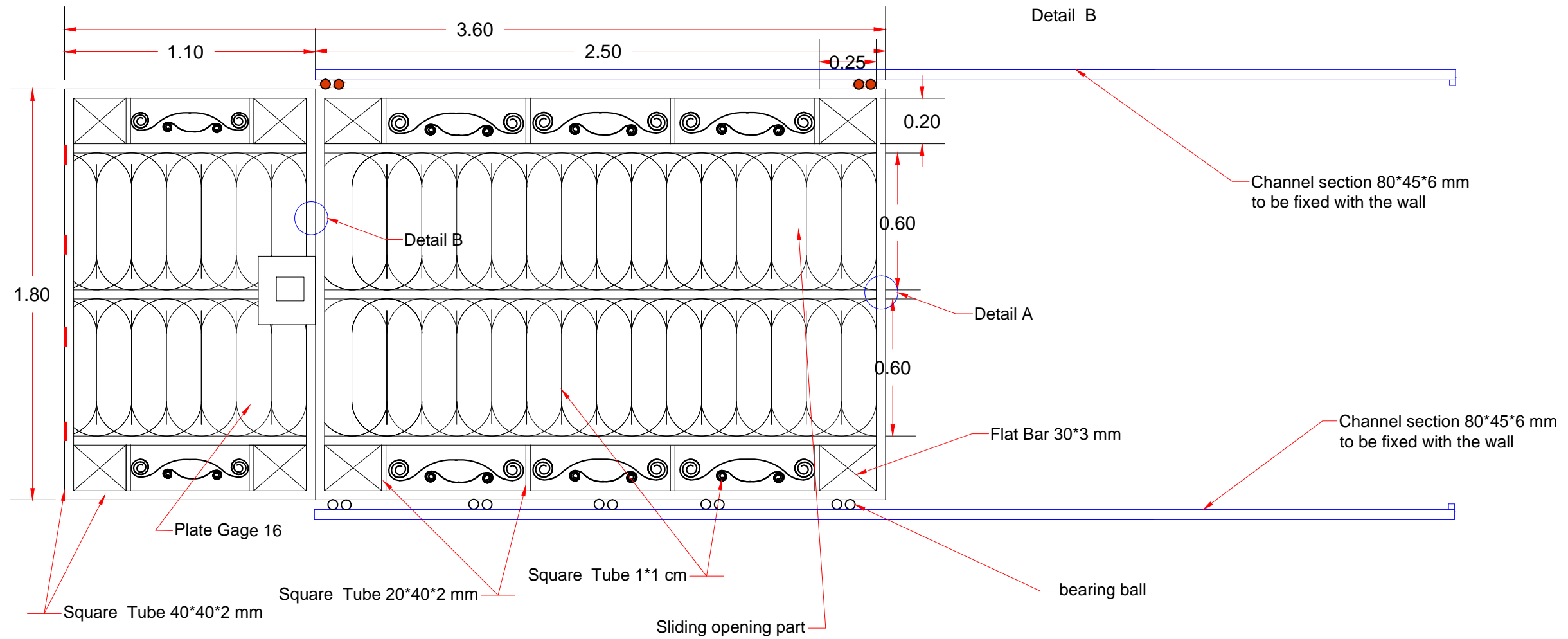
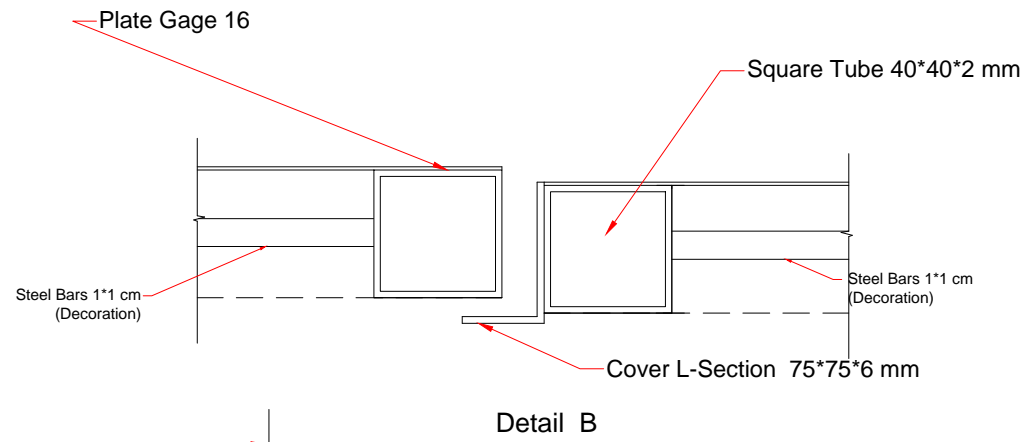
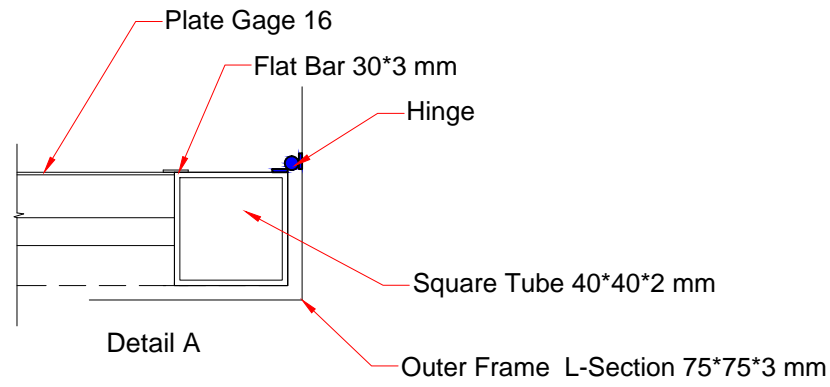


Typical drawings for Diyala School		
Drawn by: Eng Azad Abdulkareem		
Sheet Title : Detail of the Main Gate (2.5*1.8) m		
Scale NTS	Date	DWG No. 28

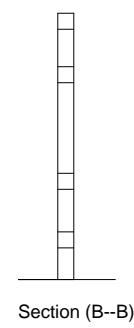
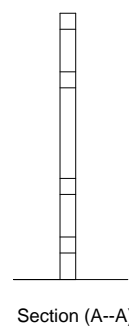
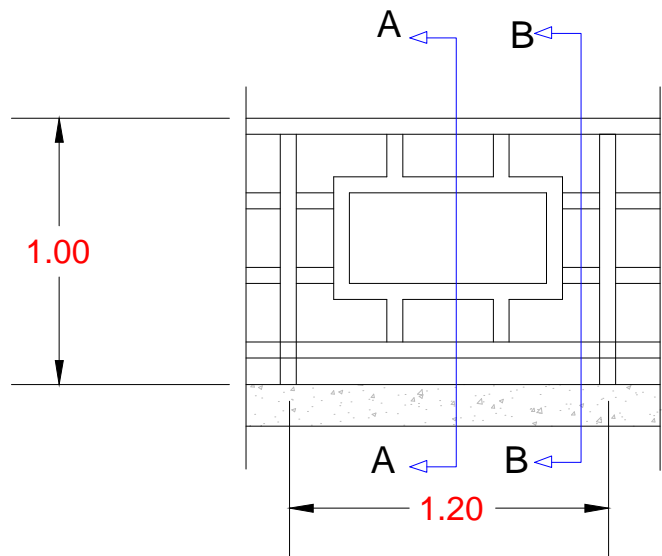


Detail of the Main Gate Frame

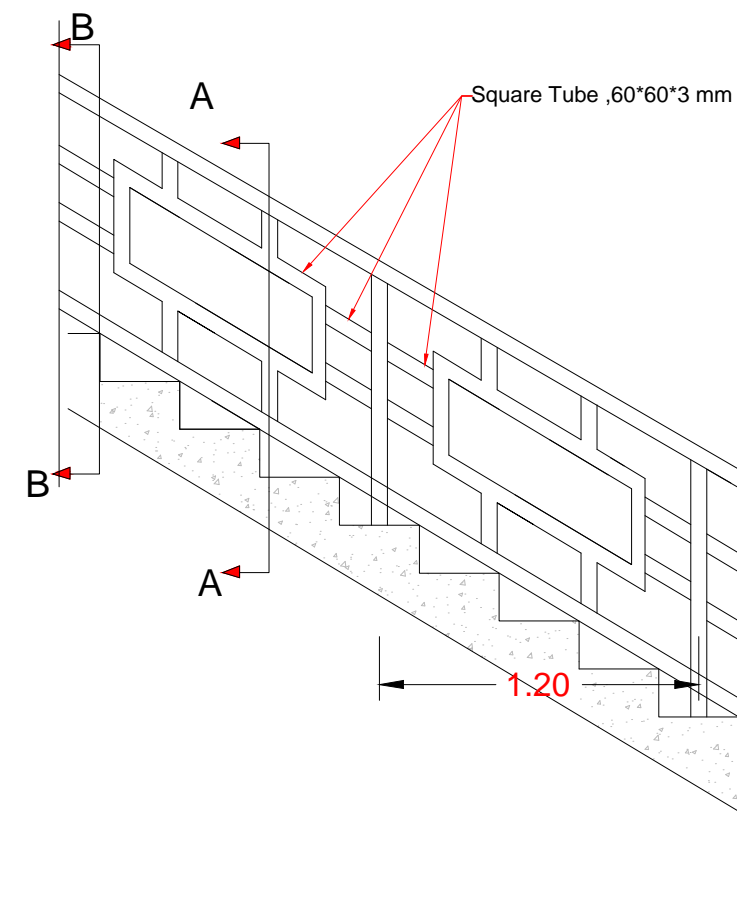
Typical drawings for Diyala School		
Drawn by: Eng Azad Abdulkareem		
Sheet Title : Detail of the Main Gate Frame (3.6*1.8)m		
Scale NTS	Date	DWG No.29



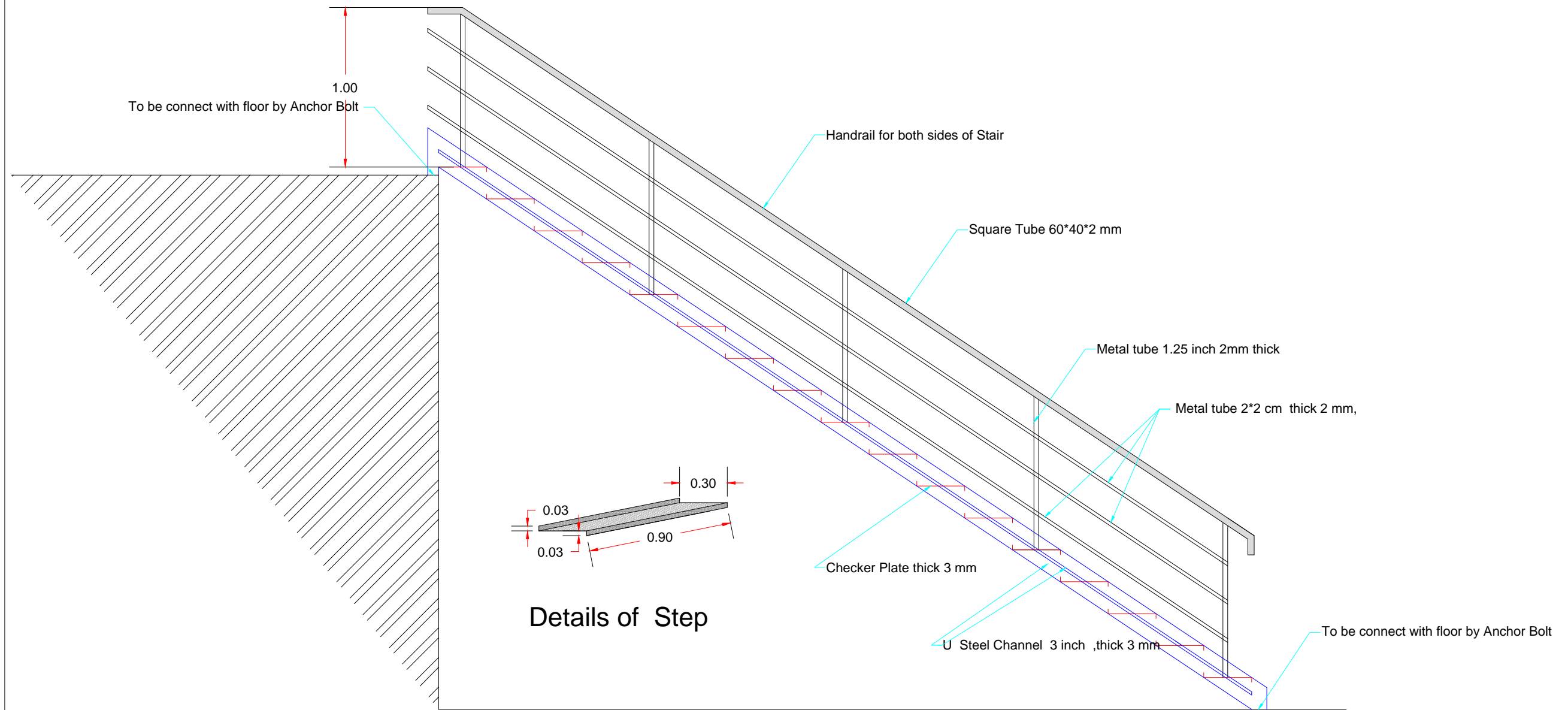
Typical drawings for Diyala School		
Drawn by: Eng Azad Abdulkareem		
Sheet Title : Detail of the Main Gate (3.6*1.8) m		
Scale NTS	Date	DWG No. 30



Details of the Handrail



Typical drawings for Diyala School		
Drawn by: Eng Azad Abdulkareem		
Sheet Title : Details of Handrail		
Scale NTS	Date	DWG No. 31



Details of Step

Typical drawings for Diyala School		
Drawn by: Eng Azad Abdulkareem		
Sheet Title : Details of Steel Stair		
Scale NTS	Date	DWG No. 32