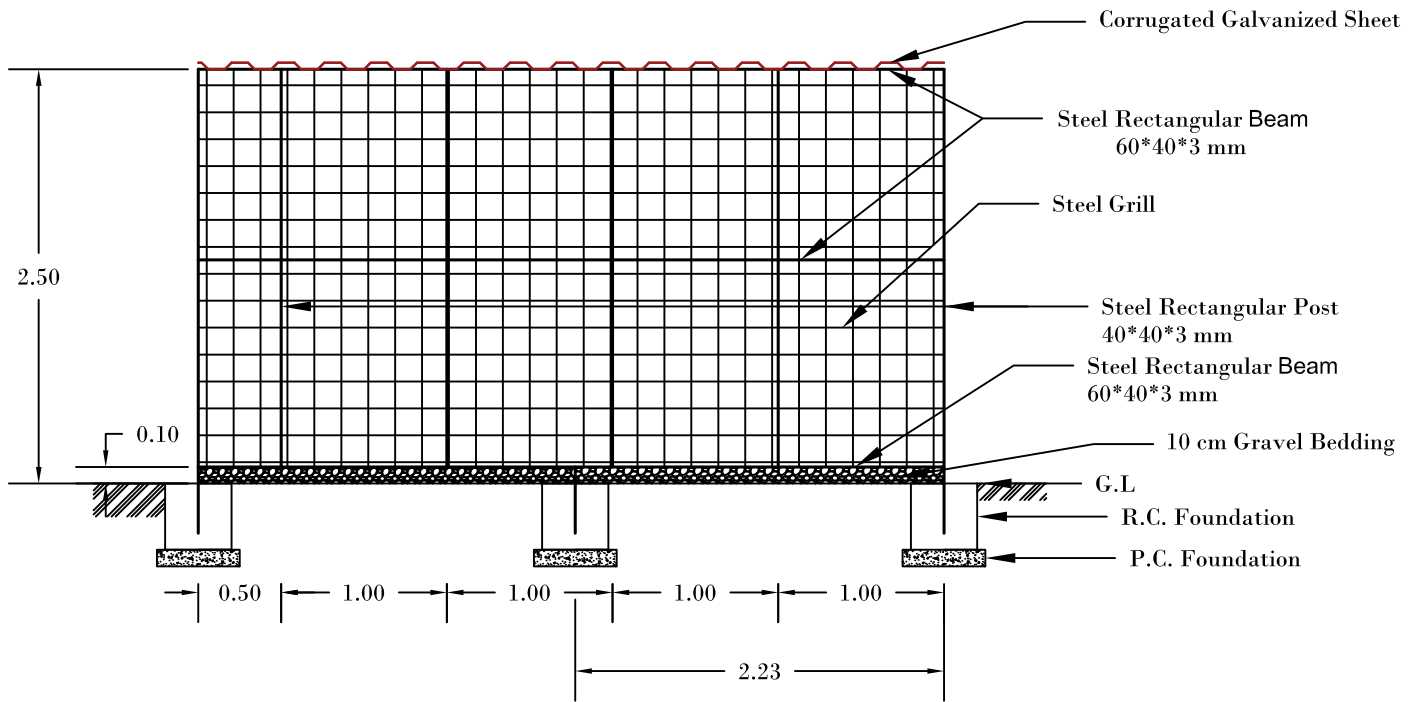
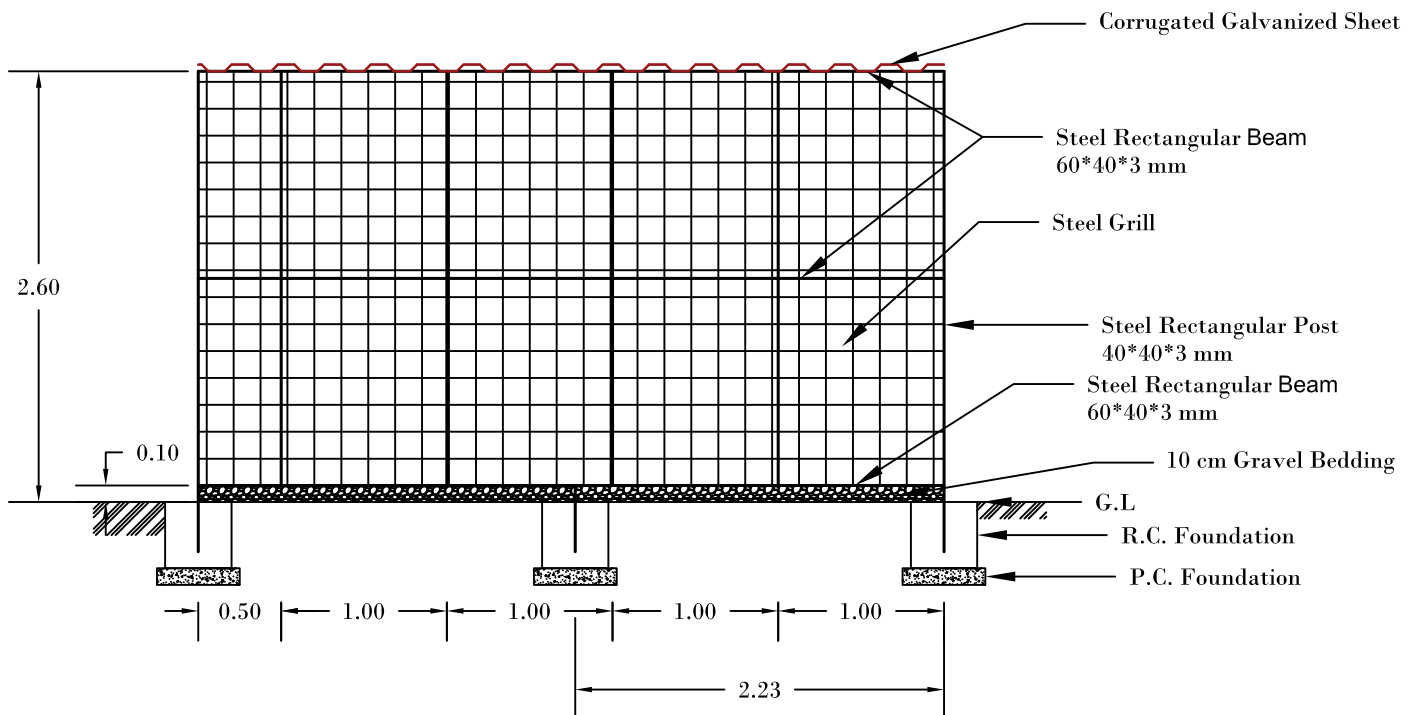
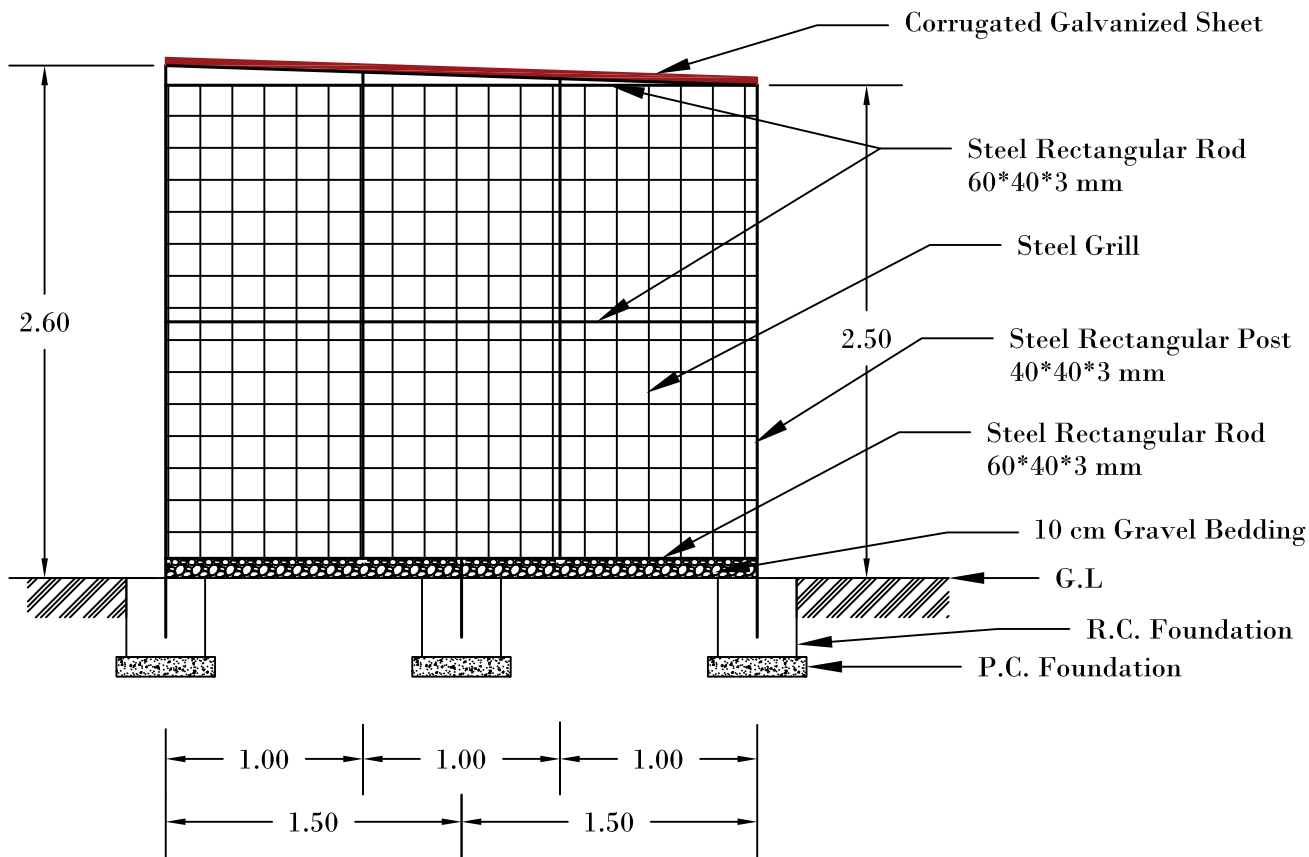


Plan View

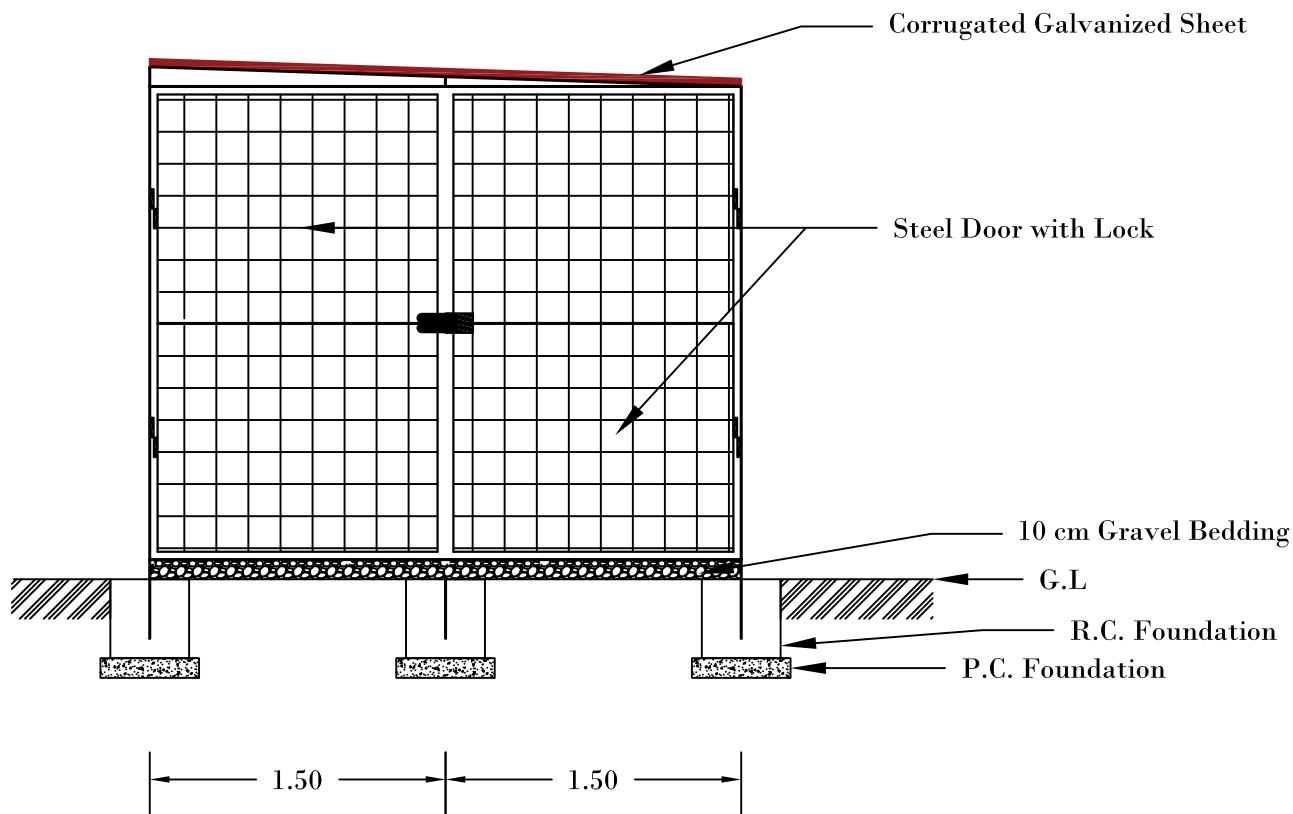


Side View

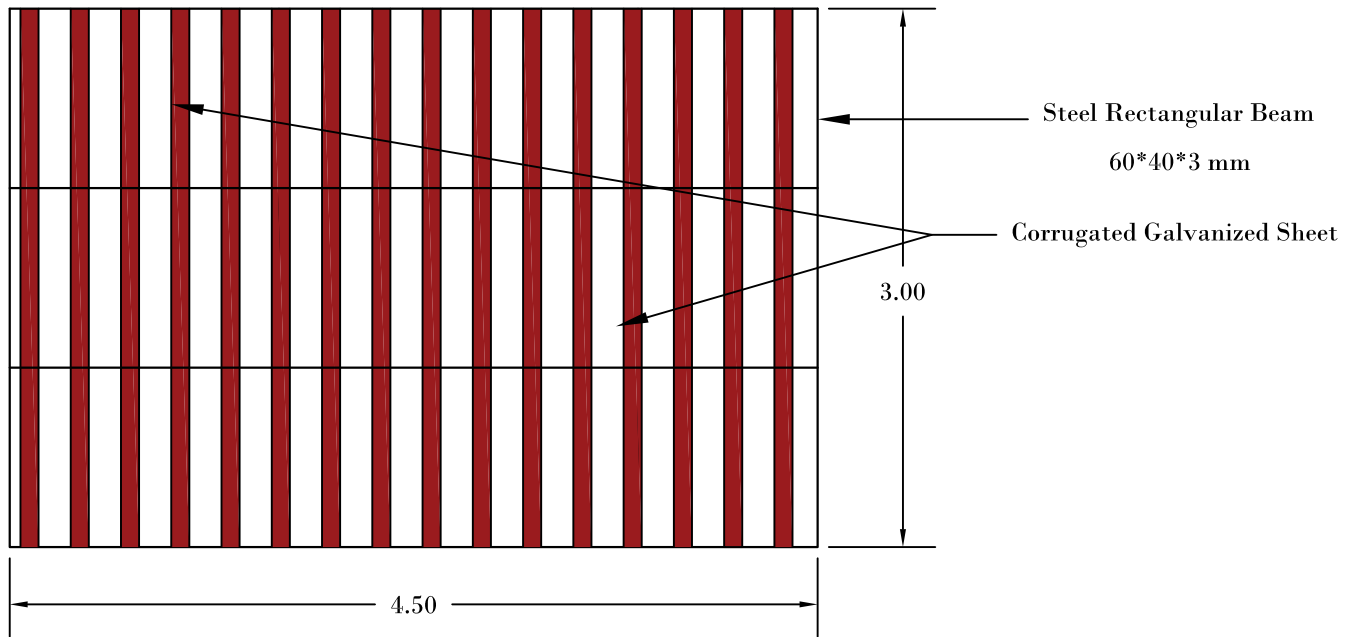




Back View



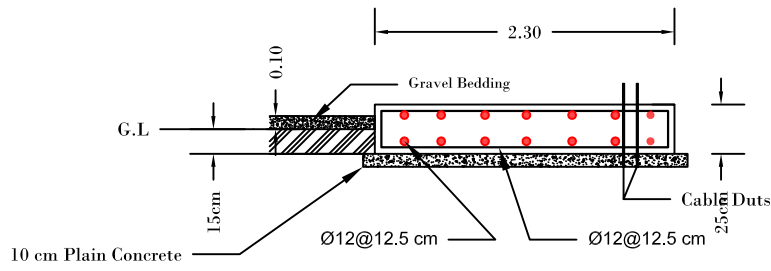
Front View



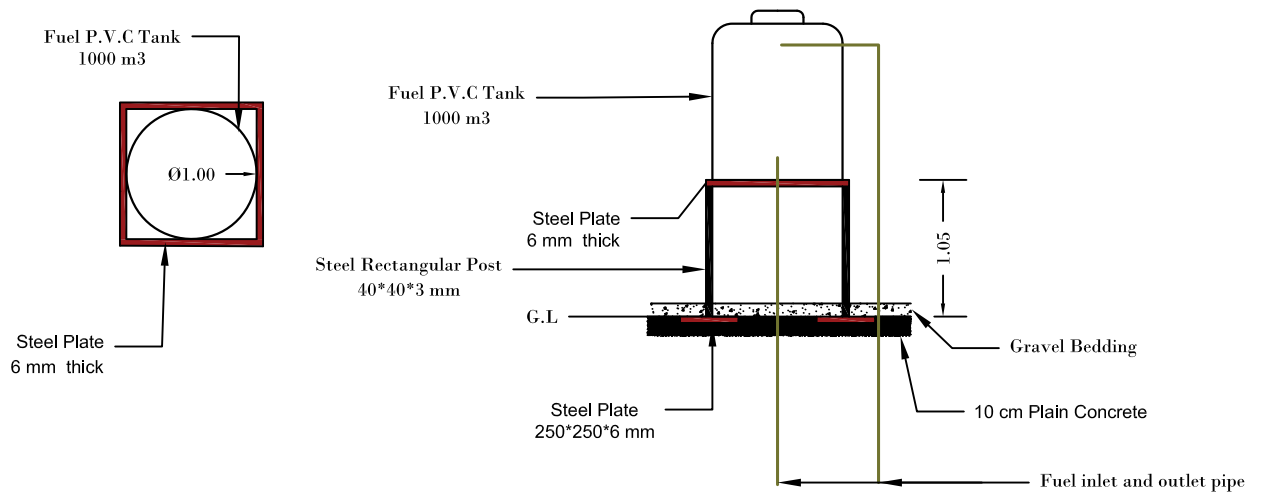
Top View



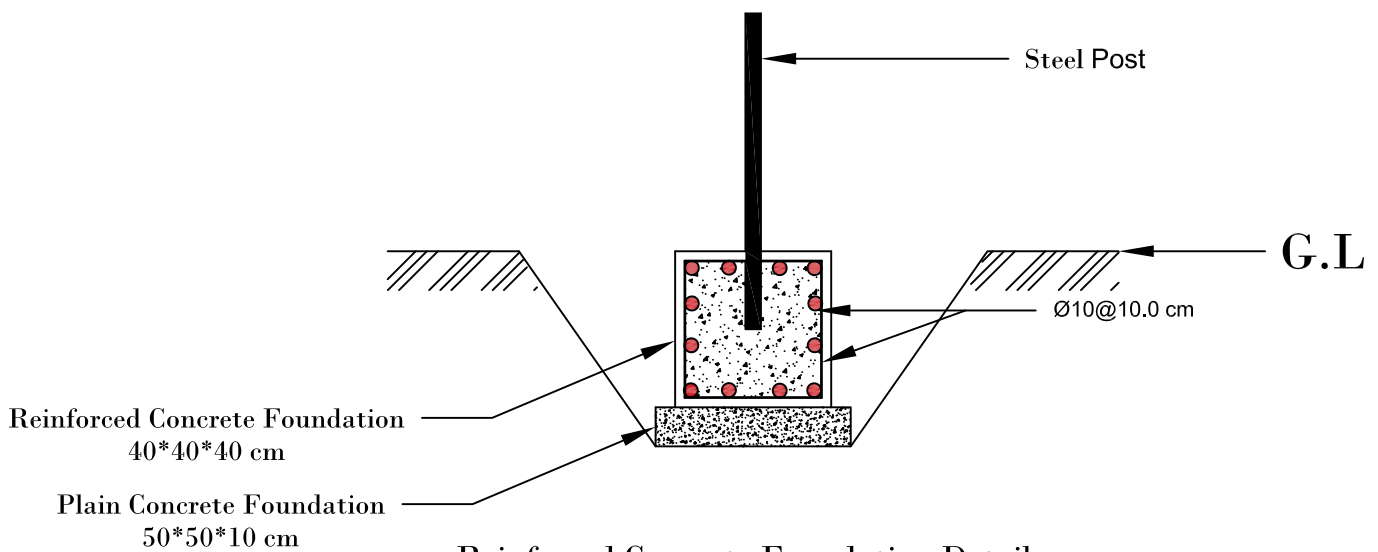
Corrugated Galvanized Sheet



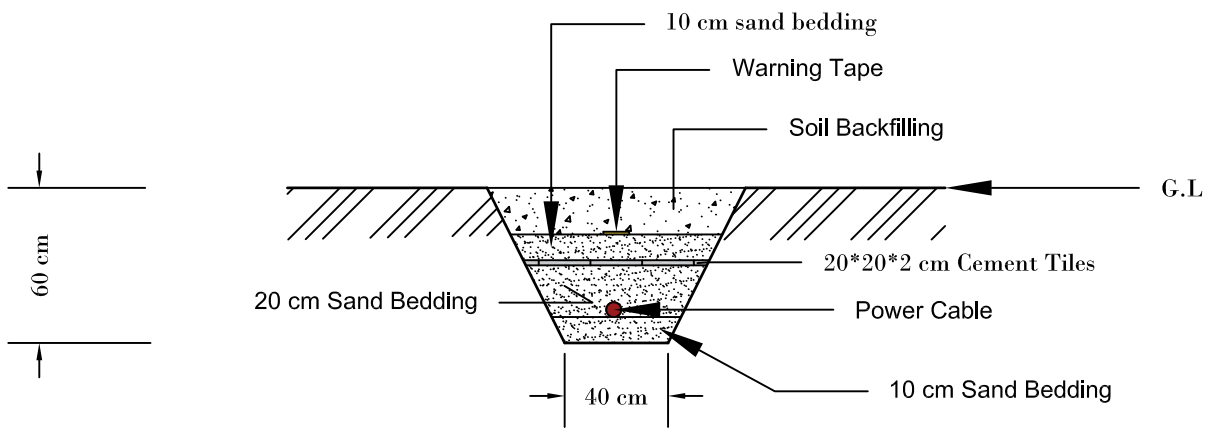
Reinforced Concrete Details



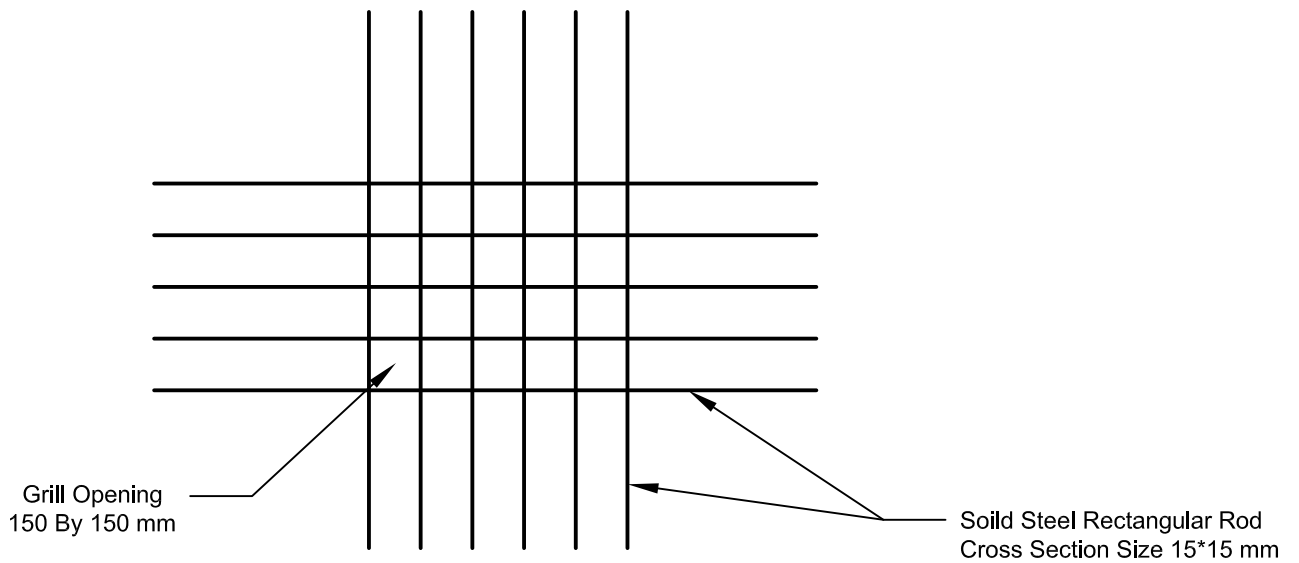
Fuel Tank
Steel Base Details



Reinforced Concrete Foundation Details



Power Cable Trench



Steel Grill Details