

TECHNICAL SPECIFICATION FOR
THE FURNITURE OF THE CENTER
FOR DISABLED CHILDREN IN
SHIJAK

Desk nr.1

Dimension : 1400 mm 800 mm × 720 mm

pieces 2



The desk is composed from:

- a) The top in rectangular shape
- b) Four drawers
- c) Shelf

The top will be in 32 mm width. The front of the top will be chamfered.

The connection of elements will be done with invisible accessories. The desk contact with the floor will be done with plastic tapes to avoid damages from humidity and strokes.

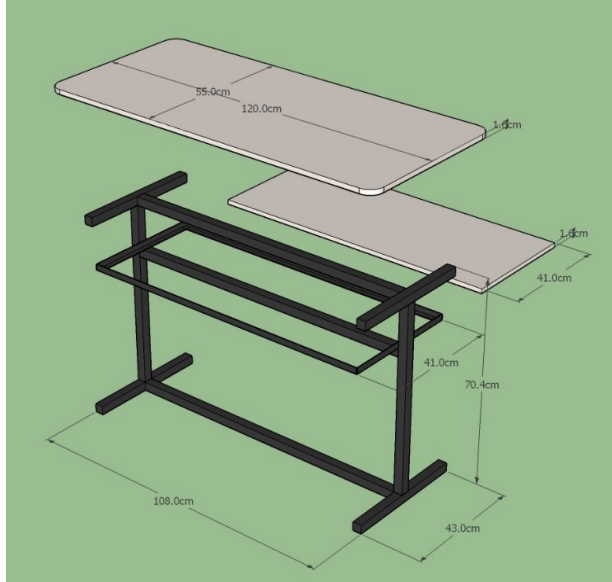
The color will be laminate cream. The colors and accessories will be chosen by the client authority person.

Manufacturing, Supply and Installation.

Desk nr.02

Dimension : 1200 × 550 × 720mm

pieces 8



The desk is composed from:

- a) Rectangular top
- b) Metallic skeleton

The top will be in laminated MDF with 32 mm width. The skeleton will be in metallic elements 30x30 mm. The perimeter of the top will be chamfered.

The connection of elements will be done with invisible accessories. The desk contact with the floor will be done with plastic tapes to avoid damages from humidity and strokes.

The color will be laminate beech-maple. The skeleton will be in grey color. The colors and accessories will be chosen by the client authority person.

Manufacturing, Supply and Installation.

Desk nr.03

Dimension : 1200 × 550 × 720mm

pieces 2



The desk is composed from:

- a) Rectangular top
- b) Metallic skeleton

The top will be in laminated MDF with 32 mm width. The skeleton will be in metallic elements 30x30 mm. The perimeter of the top will be chamfered.

The connection of elements will be done with invisible accessories. The desk contact with the floor will be done with plastic tapes to avoid damages from humidity and strokes.

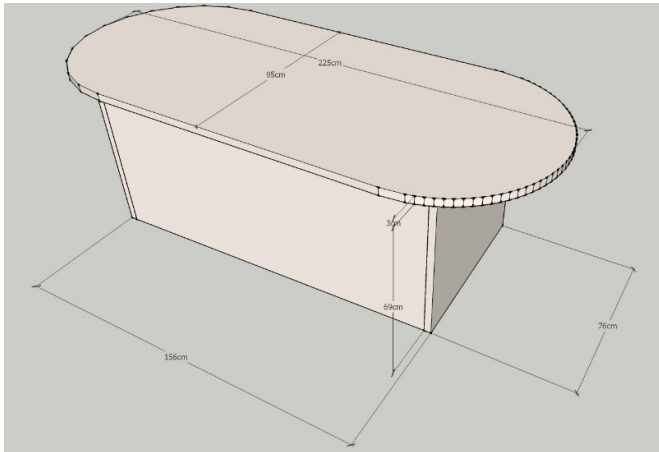
The color will be laminate beech-maple. The skeleton will be in grey color. The colors and accessories will be chosen by the client authority person.

Manufacturing, Supply and Installation.

Desk nr.4

Dimensions :2250 mm 950 mm × 720 mm

pieces 1



The desk is composed from:

- a) Ellipse top
- b) Separate shelf

The top will be in laminated MDF with 32 mm width. The skeleton will be in metallic elements 30x30 mm. The perimeter of the top will be chamfered.

The connection of elements will be done with invisible accessories. The desk contact with the floor will be done with plastic tapes to avoid damages from humidity and strokes.

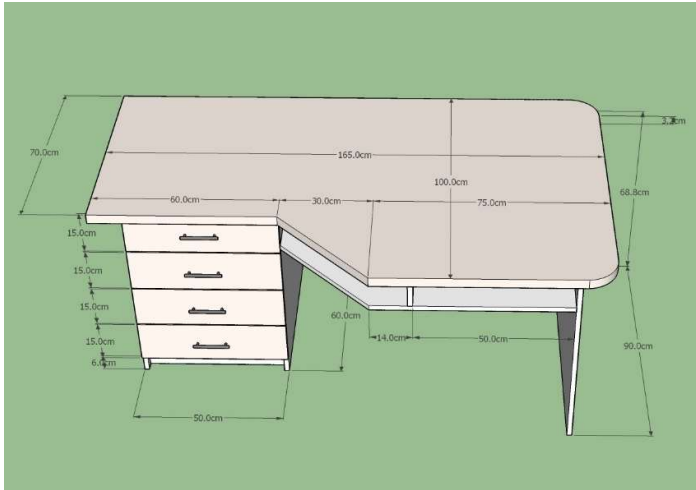
The color will be laminate beech-maple. The skeleton will be in grey color. The colors and accessories will be chosen by the client authority person.

Manufacturing, Supply and Installation.

Desk nr.5

Dimensions : 1650 mm 1000 mm × 720 mm

pieces 1



The desk is composed from:

- a) The top in rectangular shape
- b) Four drawers
- c) Shelf

The top will be in 32 mm width. The front of the top will be chamfered.

The connection of elements will be done with invisible accessories. The desk contact with the floor will be done with plastic tapes to avoid damages from humidity and strokes.

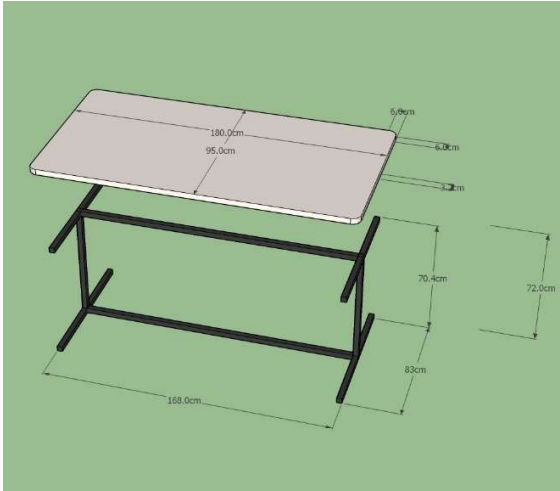
The color will be laminate cream. The colors and accessories will be chosen by the client authority person.

Manufacturing, Supply and Installation.

Desk nr.6

Dimensions : 1800 × 950 × 720mm

pieces 2



The desk is composed from:

- a) Rectangular top
- b) Metallic skeleton

The top will be in laminated MDF with 32 mm width. The skeleton will be in metallic elements 30x30 mm. The perimeter of the top will be chamfered.

The connection of elements will be done with invisible accessories. The desk contact with the floor will be done with plastic tapes to avoid damages from humidity and strokes.

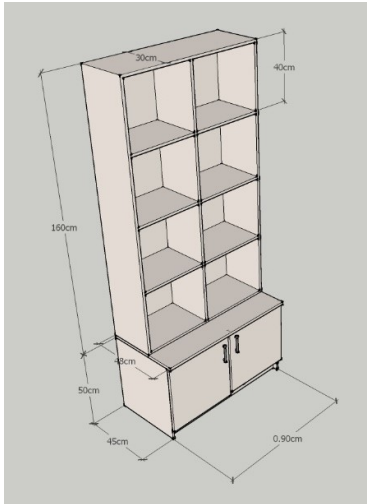
The color will be laminate beech-maple. The skeleton will be in grey color. The colors and accessories will be chosen by the client authority person.

Manufacturing, Supply and Installation.

Shelf nr.7

Dimensions : Bottom part.- 900× 450 ×516 mm
Upper part - 900× 30 ×1582 mm

pieces 12



The shelf is composed by these elements:

-Bottom part:

- a) One box with upper and bottom and internal divisions
- b) 2 shutters with dimensions 447 mm

-Upper part:

- c) 1 shelter without shutters hanged on bottom part and on vertical wall

The shelf is designed in laminated M.D.F. in 16 mm width. The back is composed by 4mm width fiber with the same color as the shelf.

The connection of elements will be done with “L” profiles. The mounting of shutters will be done in sliding rails. The contact of shelf with the floor will be done with plastic tapes in order to protect the shelf from the humidity and damages.

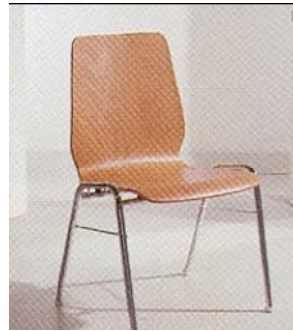
The hangs will be hole type.

The color will be laminate cream. The colors will be chosen by the client authority person.

Manufacturing, Supply and Installation.

Chairs

Types : 3



Chairs in 3 types :

- | | |
|---|-----------|
| a) Office wheels chair | pieces 3 |
| b) Office chairs with upholstery | pieces 22 |
| c) Classroom chairs with metallic skeleton | pieces 15 |
| d) Laboratory chairs with metallic skeleton | pieces 8 |

Office chairs are on wheels and with beige upholstery

Office chairs are simple with blue upholstery.

Classroom chairs are simple, in wood and metallic skeleton colored with dark gray.

Laboratory chairs are simple, in wood and metallic skeleton colored with dark gray.

Before you start production colors and accessories will be determined by the responsible person designated by the investor.

Manufacturing, Supply and Installation.