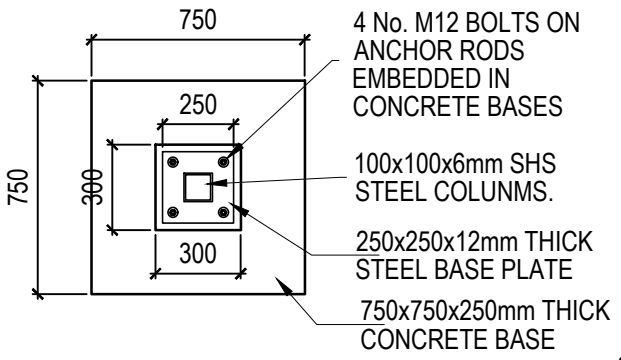
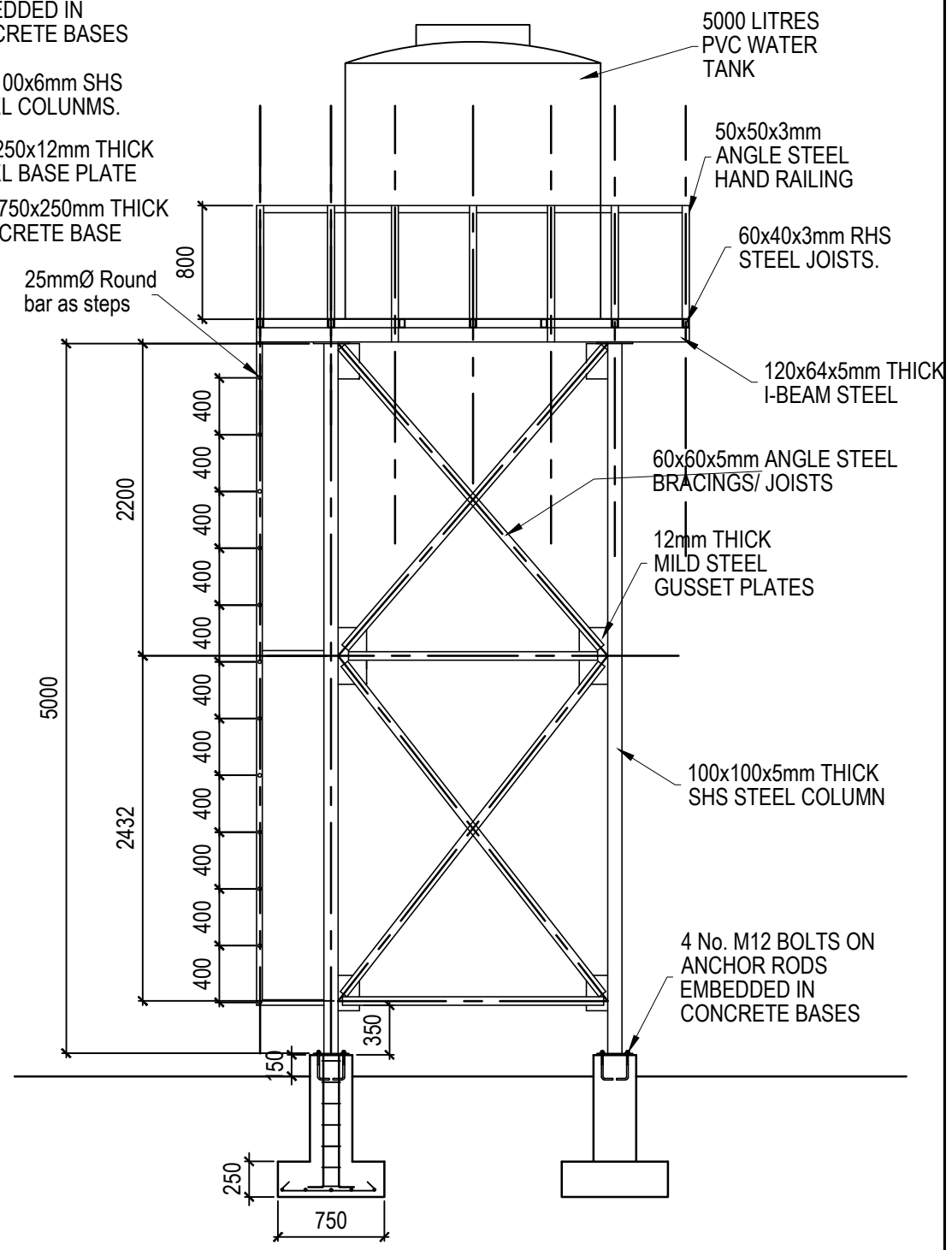


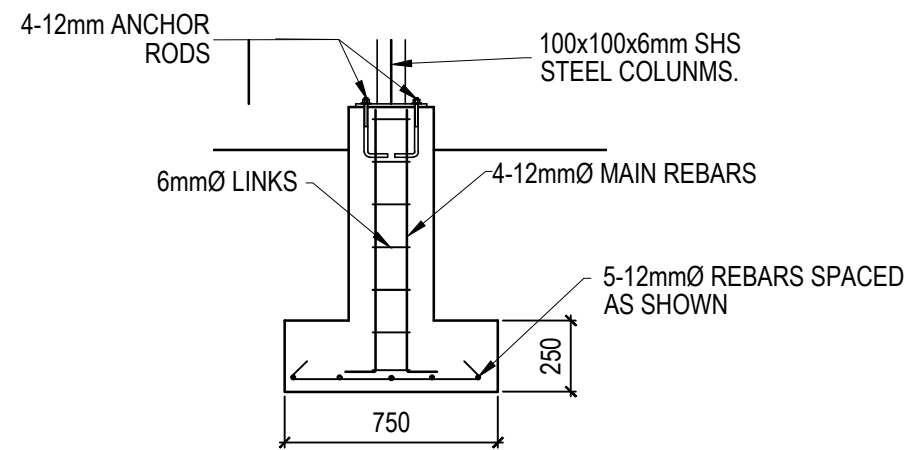
LAYOUT PLAN



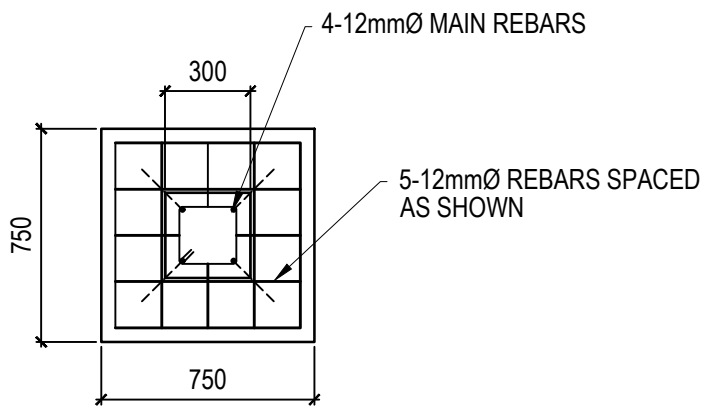
FOOTING PLAN





TOWER ELEVATION



FOOTING SECTION



FOOTING REINFORCEMENT PLAN

 <p>UNITED NATIONS DEVELOPMENT PROGRAMME Juba - South Sudan</p>	<p>DRAWING TITLE: TANK TOWER</p>	<p>SHEET CONTENT: Plans, sections, elevation, details</p>	<p>SCALE: 1:35; 1:40; 1:60.</p>	<p>REV. No:</p>
	<p>DRAWING NAME: Typical Tank tower.dwg</p>			<p>DATE: June 2018</p>
 <p>PROJECT TITLE Peace & Community Cohesion (PaCC)</p>	<p>DESIGN BY: UNDP</p>		<p>CONTRACT No:</p>	<p>DRAWING No: S-01</p>
	<p>DRAWN BY: UNDP - Okungulu Godfrey.</p>		<p>APPROVED FOR IMPLEMENTATION:</p>	