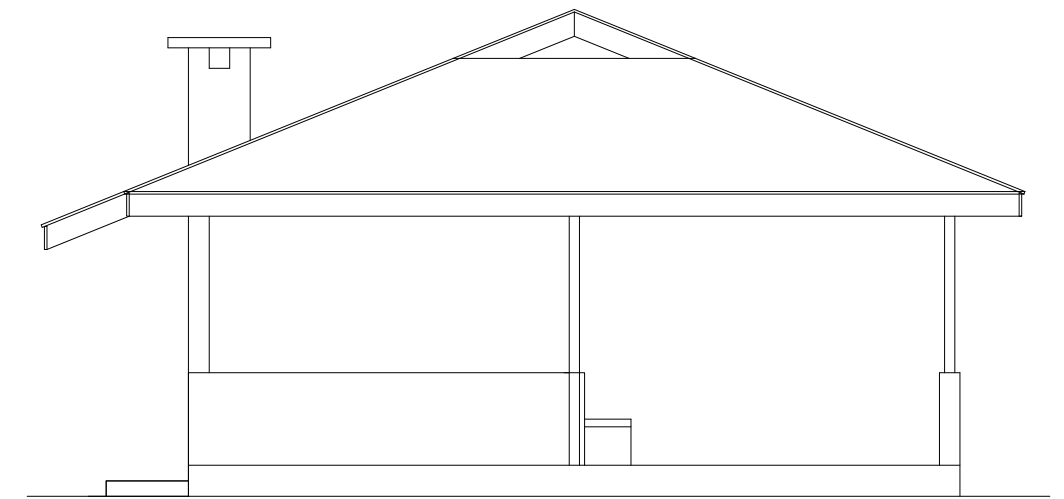
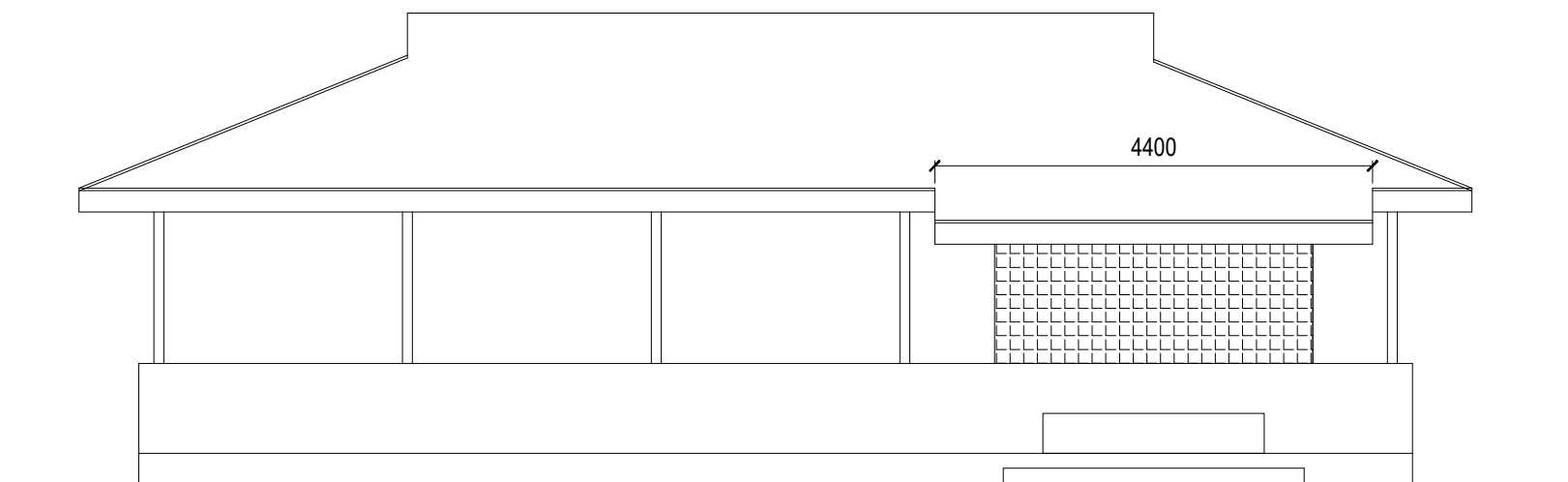


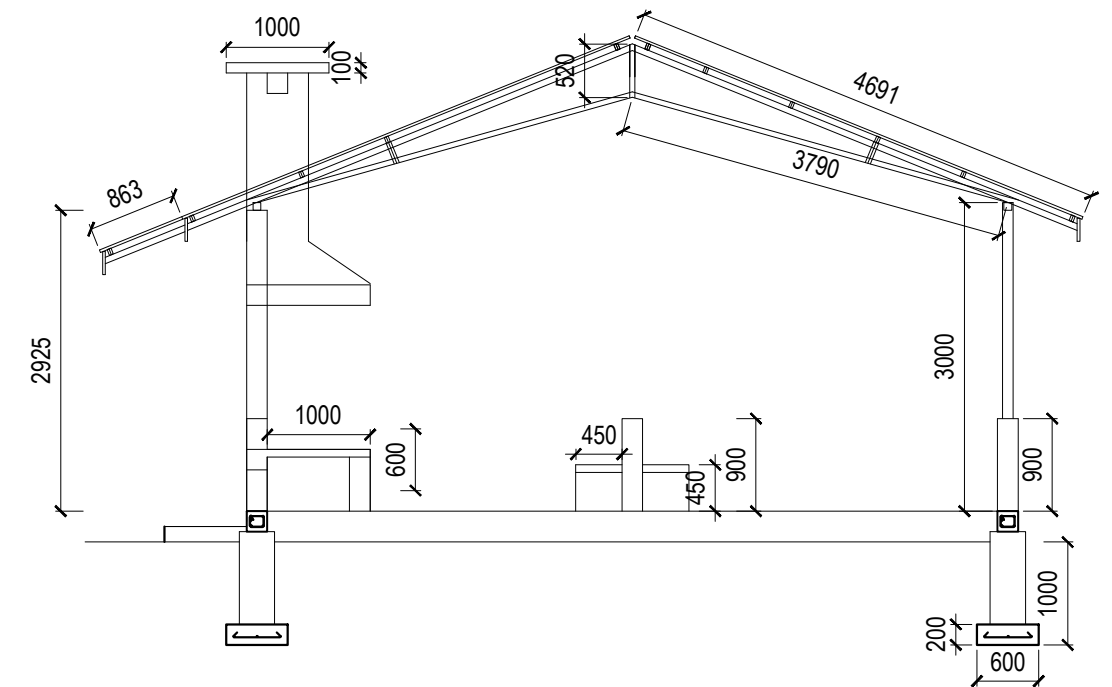
FRONT ELEVATION





TYPICAL SIDE ELEVATION



REAR ELEVATION



SECTIONAL ELEVATION

| | | | | | |
|---|---|---|--|------------------------------|---------------------------|
|  | UNITED NATIONS DEVELOPMENT PROGRAMME Juba - South Sudan | DRAWING TITLE: Lulu Works cottage Industry - Wullu | SHEET CONTENT: Floor Layout Plan | SCALE: 1:100. | REV. No: |
| |  | PROJECT TITLE Peace & Community Cohesion Project (PaCC) | DRAWING NAME: Milling Shed.dwg | | DATE: May 2019 |
| | | DESIGN BY: UNDP | | CONTRACT No: | DRAWING No: 2/3 |
| | | DRAWN BY: UNDP - Okungulu Godfrey. | | APPROVED FOR IMPLEMENTATION: | |