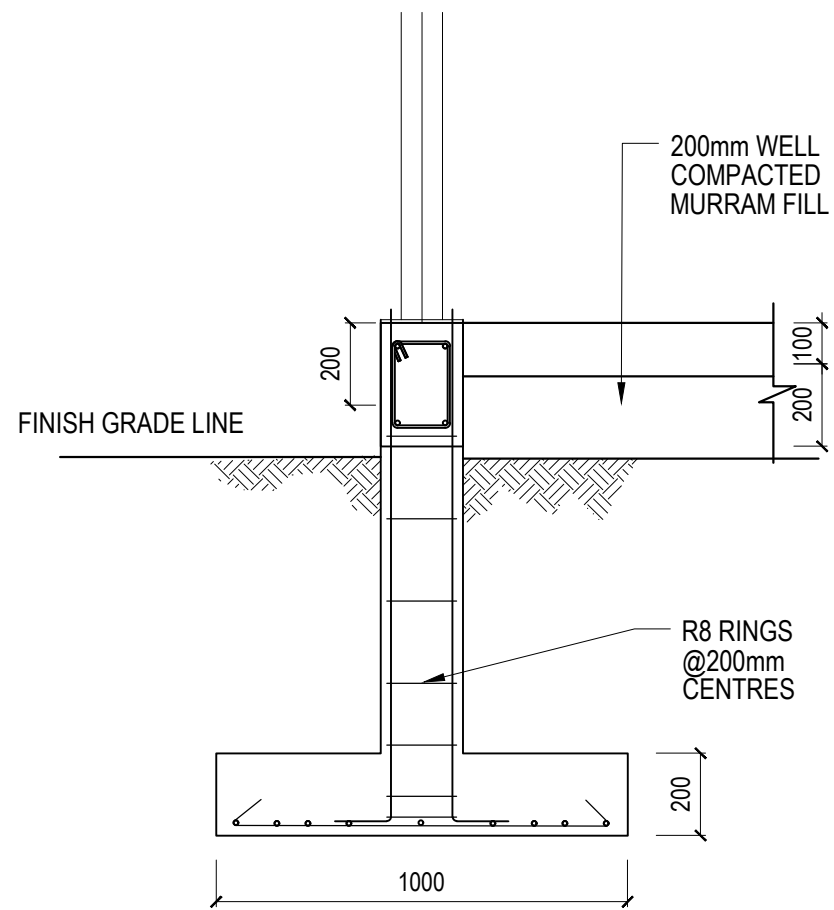
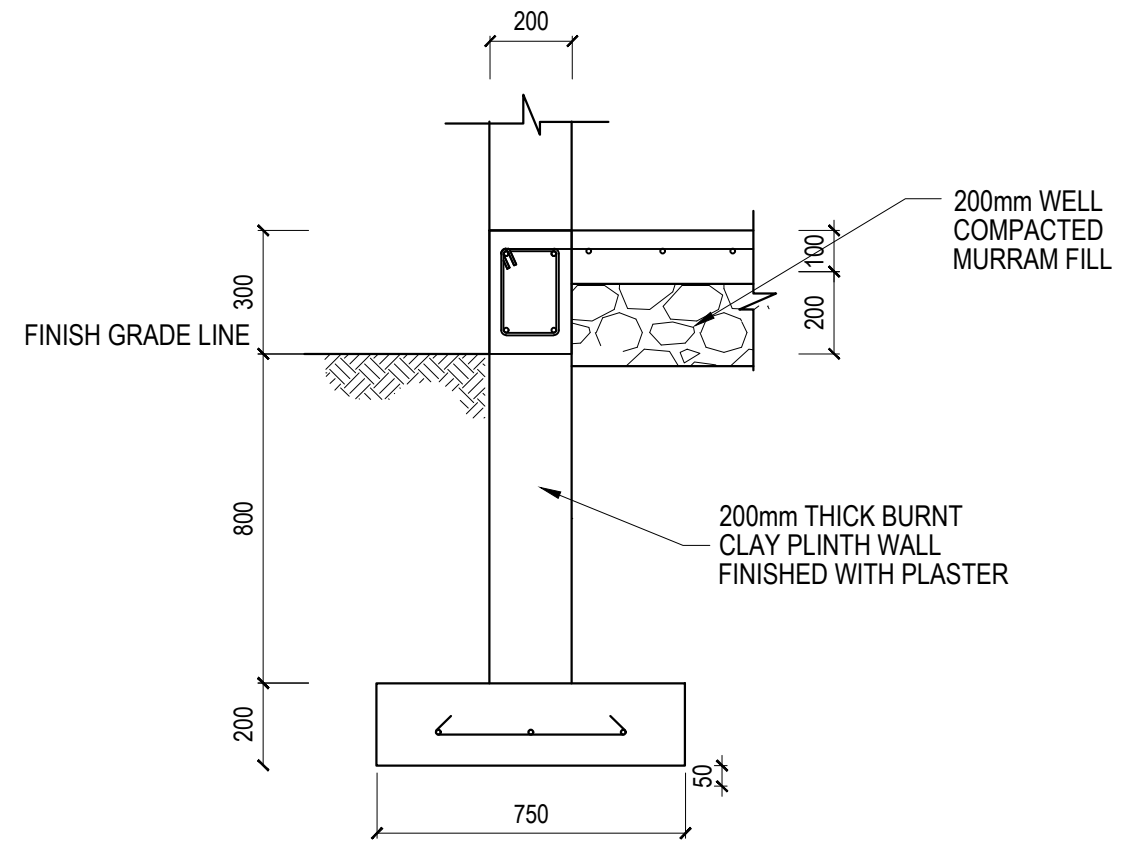




TYPICAL PAD FOOTING PLAN



PAD FOOTING SECTION



EXTERNAL FOUNDATION SECTION

	UNITED NATIONS DEVELOPMENT PROGRAMME Juba - South Sudan	DRAWING TITLE: Women Center - Pibor	SHEET CONTENT: Foundation Details	SCALE: 1:25.	REV. No:
		DRAWING NAME: Kitchen & Dining.dwg		DATE: June 2019	
	PROJECT TITLE Peace & Community Cohesion Project (PaCC)	DESIGN BY: UNDP		CONTRACT No:	DRAWING No: 5/6
		DRAWN BY: UNDP - Okungulu Godfrey.		APPROVED FOR IMPLEMENTATION:	