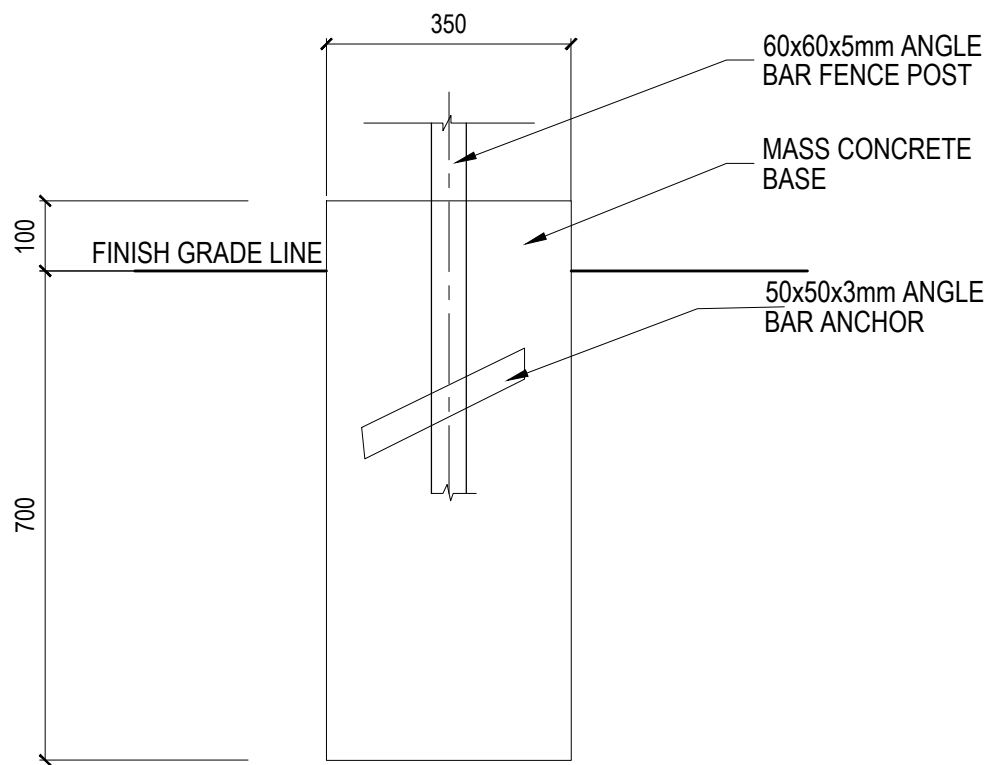
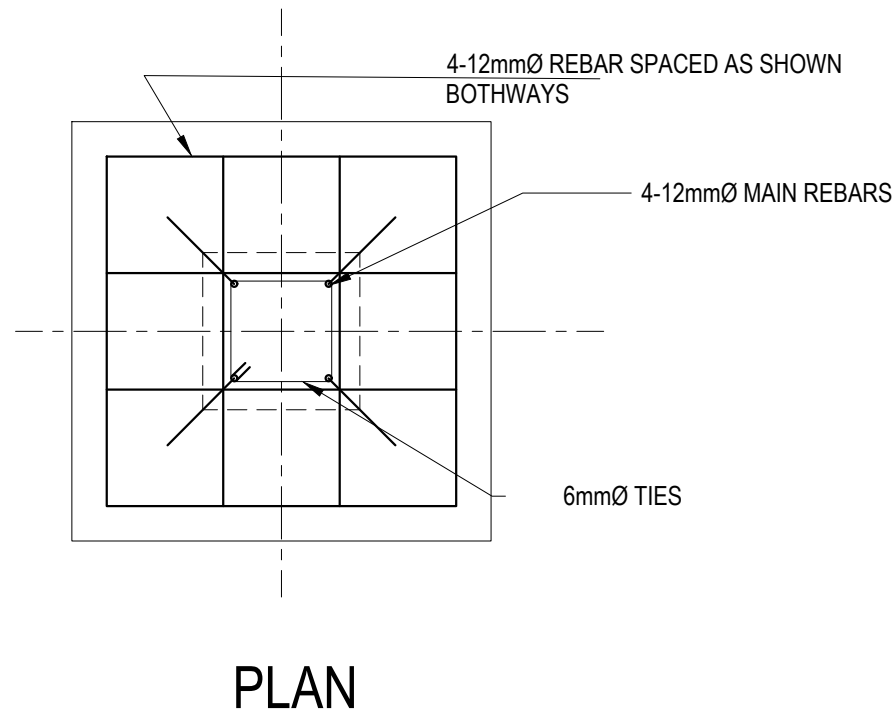


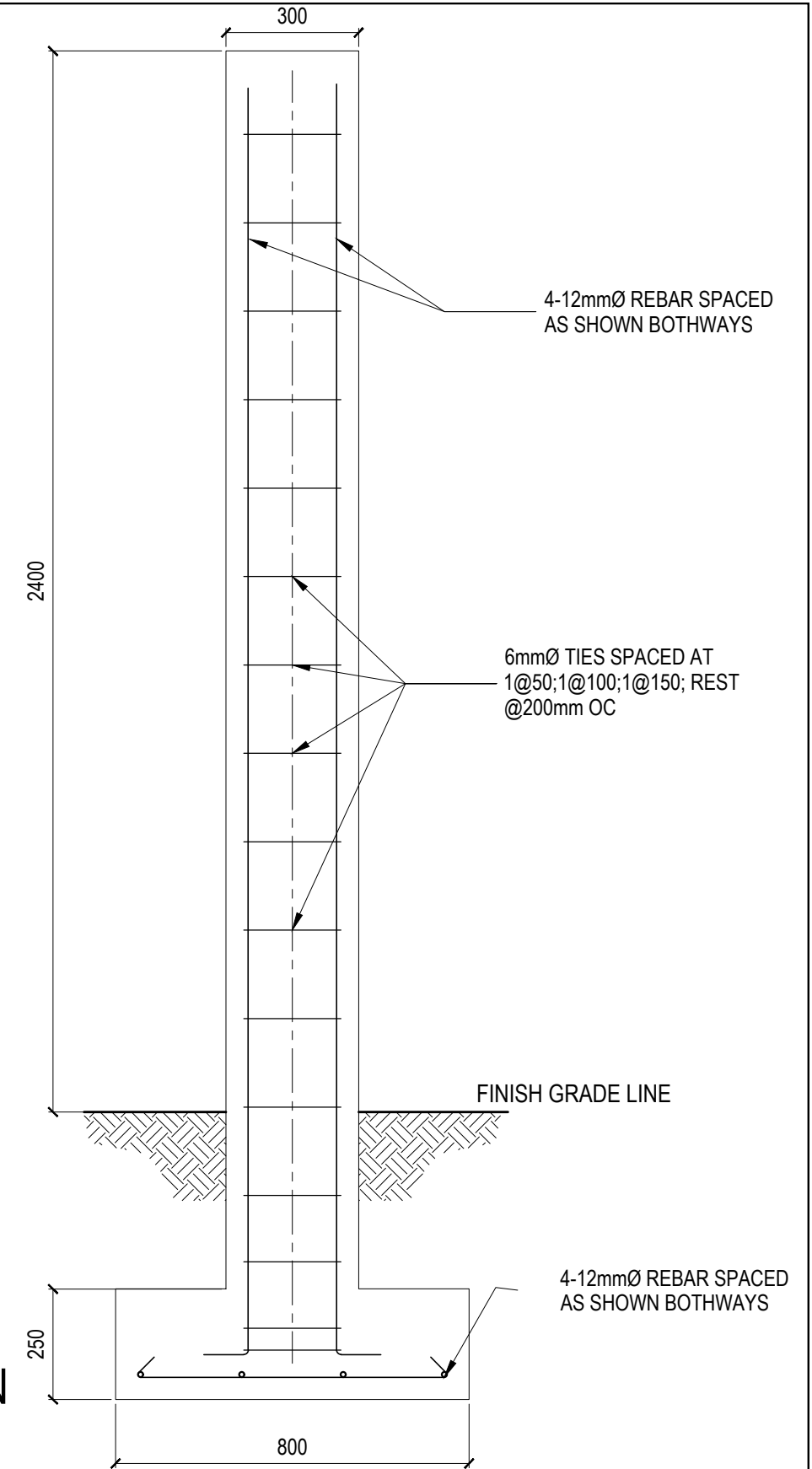
FENCE POST FOOTING PLAN





TYPICAL ELEVATION/SECTION



PLAN



	UNITED NATIONS DEVELOPMENT PROGRAMME Juba - South Sudan	DRAWING TITLE: Women Center- Pibor	SHEET CONTENT: Column & Post details	SCALE: 1:15	REV. No:
		DRAWING NAME: Typical Perimeter Fence.dwg		DATE: June 2019	
	PROJECT TITLE Peace & Community Cohesion Project (PaCC)	DESIGN BY: UNDP		CONTRACT No:	DRAWING No: 3/3
		DRAWN BY: UNDP - Okungulu Godfrey.		APPROVED FOR IMPLEMENTATION:	