

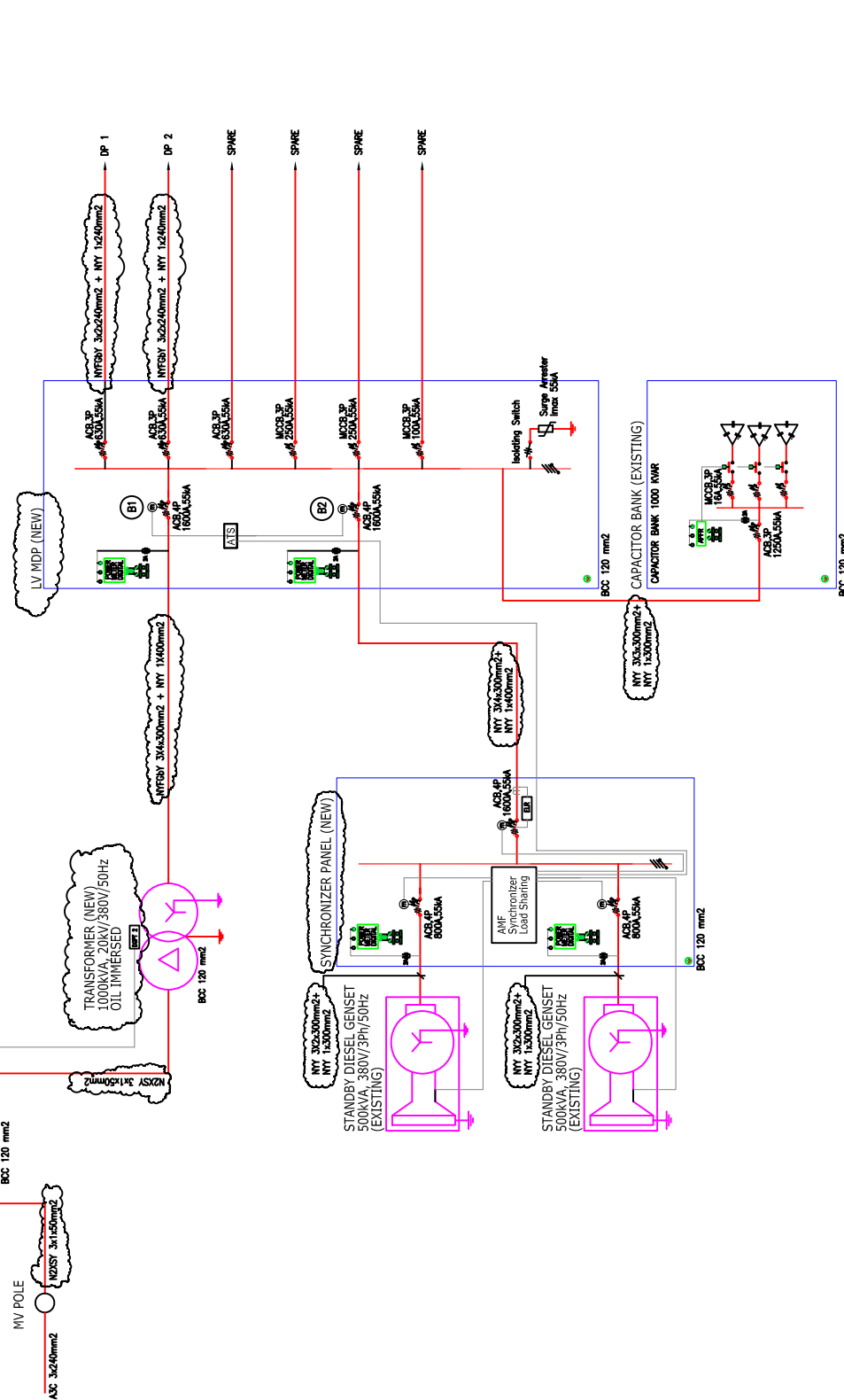
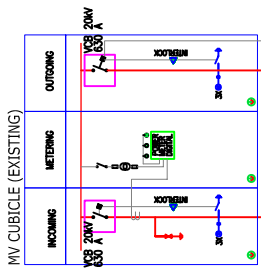
NOTES

OPERATIONAL SCHEDULE

NO.	DESCRIPTION	ACB	
		BI	BZ
1.	NORMAL OPERATION (PLAN ON)	ON	OFF
2.	EMERGENCY (PLAN OFF)	OFF	ON
3.	DISASTER (FIRE, EARTHQUAKE etc)	OFF	OFF

LEGEND

- = Vacuum Circuit Breaker 20 KV
- = Disconnecting Switch 20 KV
- = Miniature Circuit Breaker 1 Ph
- = Miniature Circuit Breaker 3 Ph
- = Moulded Case Circuit Breaker 3 Ph
- = Air Circuit Breaker 3 Ph, 3/4 Pole
- = Mechanical Electrical Interlocked
- = Pilot Lamp
- = Push Button
- = AUTOMATIC MAINS FAILURE
- = AUTOMATIC TRANSFER SWITCH
- = CONTACTOR
- = AUTOMATIC POWER FACTOR REGULATOR
- = DETECTION GAS PRESSURE TEMP. RELAY
- = CURRENT TRANSFORMER
- = MOTORIZED
- = CONTROL FUSE



REV	DATE	DESCRIPTION	CHECKED	APPROVED

OWNER

PROJECT

CONSULTING SERVICE FOR THE DESIGN AND CONSTRUCTION SUPERVISION FOR INPATIENT BUILDING, PHARMACY AND MATERNITY BUILDING IN TWO HOSPITAL IN CENTRAL SULAWESI

CONSULTANT

DRAWING TITLE

SINGLE LINE DIAGRAM
ELECTRICAL SYSTEM
ANUTAPURA HOSPITAL

DIVISION	CHECKED	SIZE	AT	REVIS
DRAWN	APPROVED	SCALE		
DESIGNED	APPROVED	DATE		
DWG No.				0