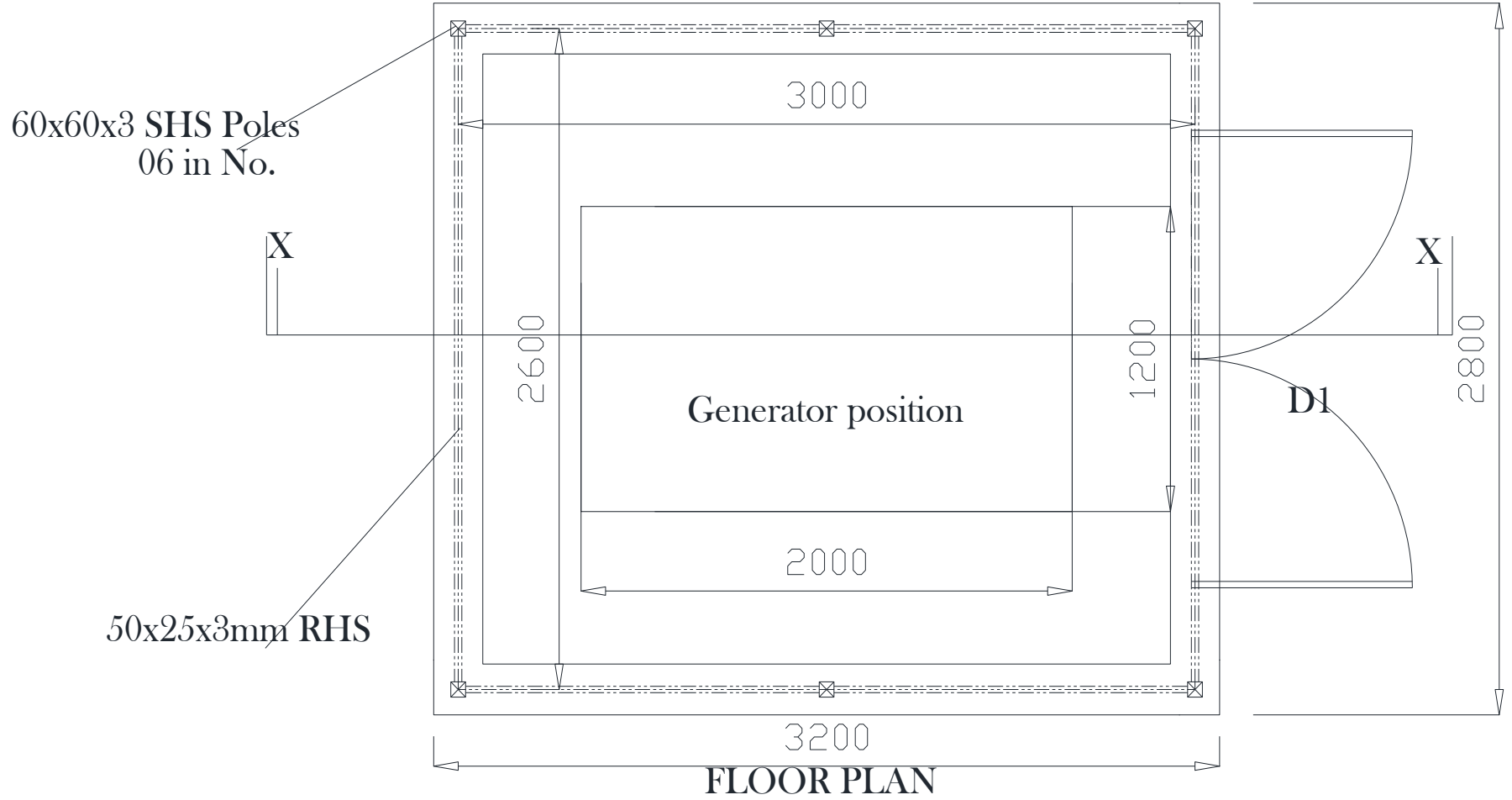
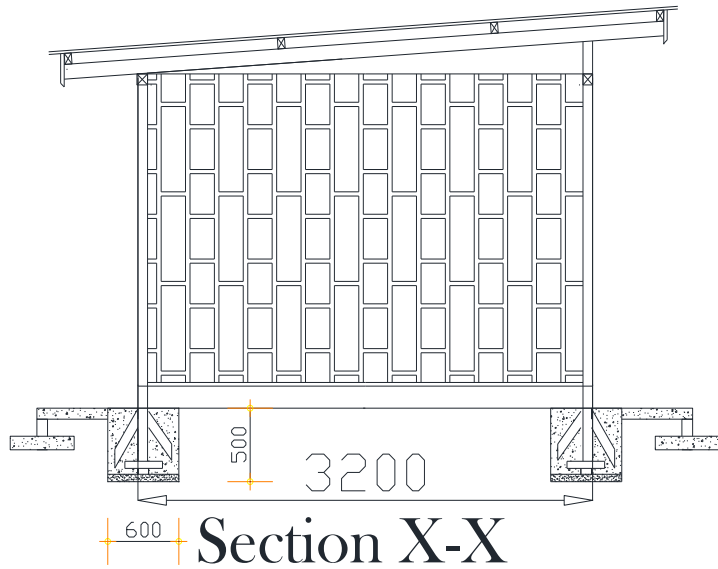


**Generator shade for Lologo Police Station**



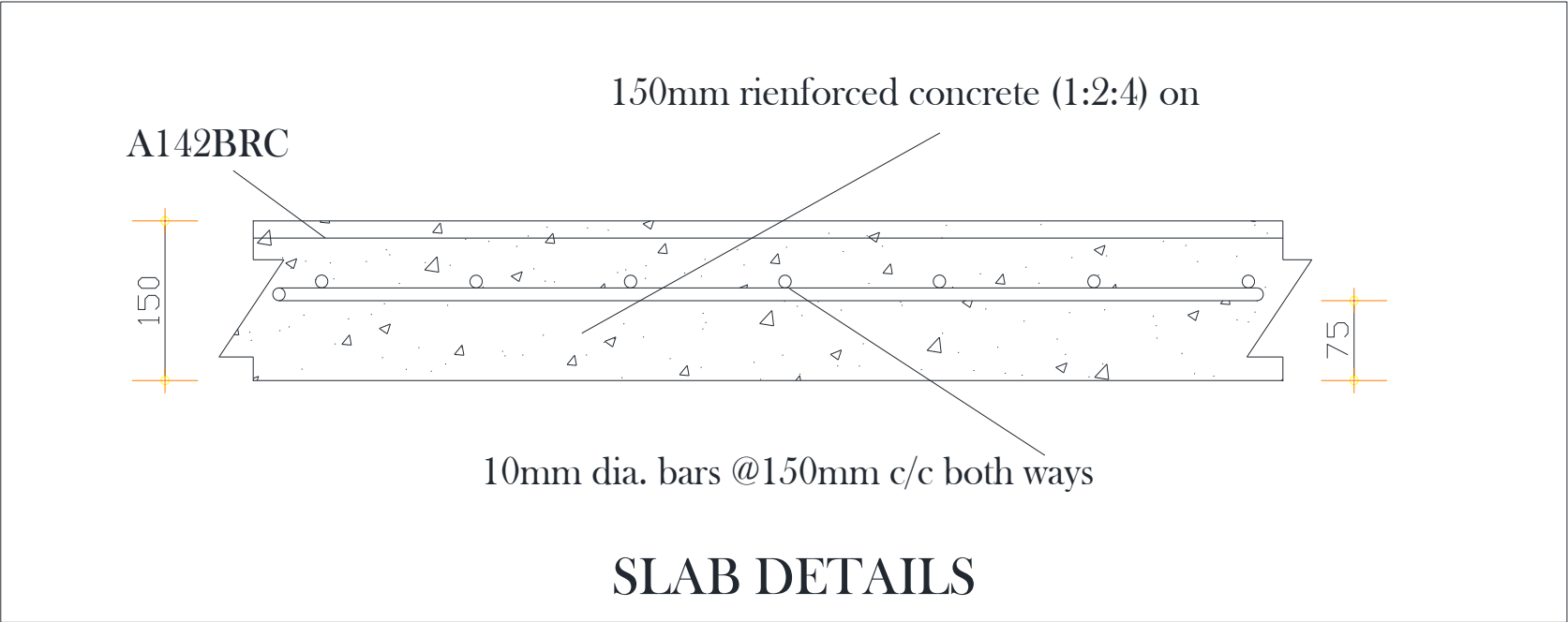


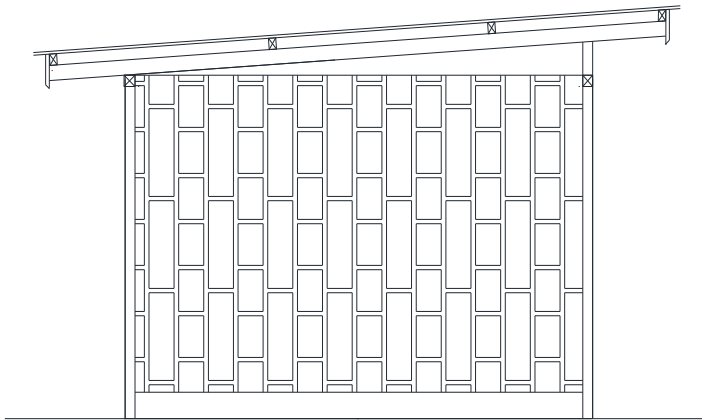
SUBSTRUCTURE NOTES:

25mm cement sand screed (1:3) on  
 150mm reinforced concrete (1:2:4) on  
 230mm hard core on compacted murrum,  
 200mm foundations wall in between column pads  
 230mm foundation concrete on firm base  
 200mmx200mmx500mm foundations to poles(1:2:4).  
 concrete mix.  
 3-Extra pieces provided and welded as shown in the drawing  
 Foundation depth to be determined on site  
 But Foundation depth NOT less than 500mm

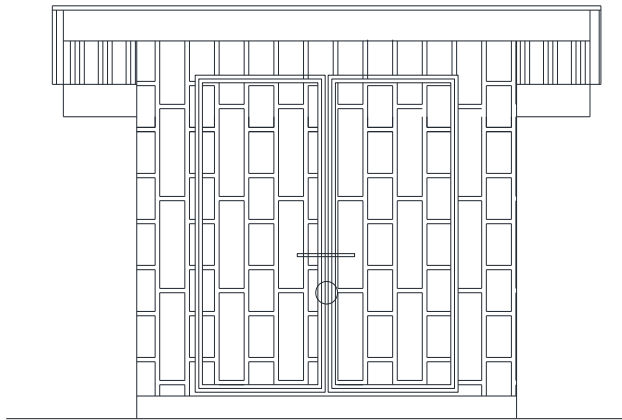
ROOFING NOTES:

Fix pre coated galvanised ridge cover on  
 G28 Pre coated sky blue galv. corrugated,  
 iron sheets on  
 60x40x2mm steel roofing purlins on,  
 60x40x3mm steel principle rafters,

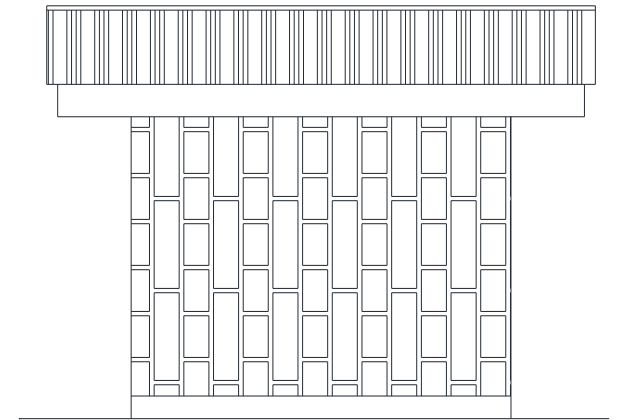




RIGHT RIGHT ELEVATION



FRONT ELEVATION



REAR ELEVATION