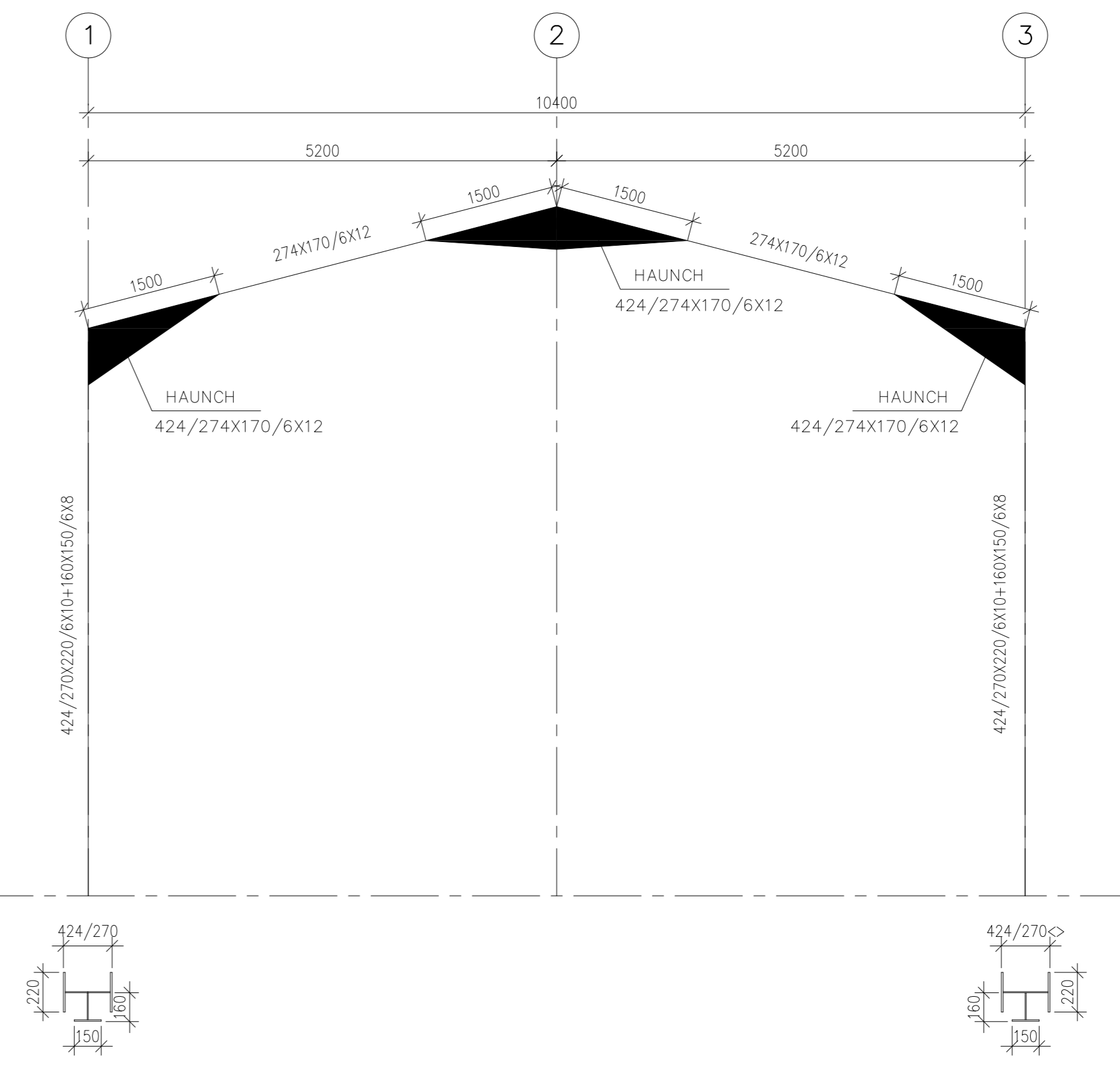
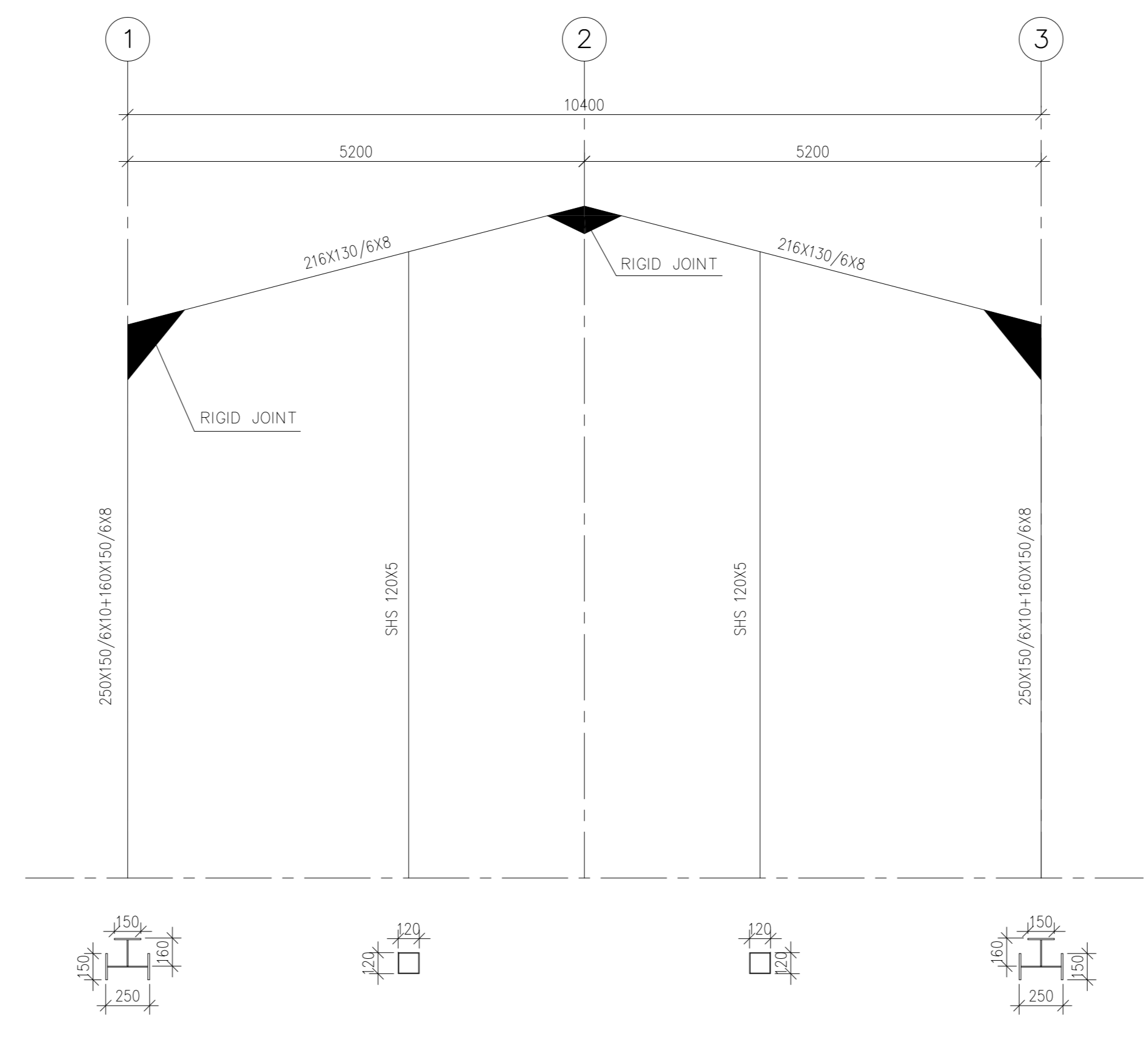
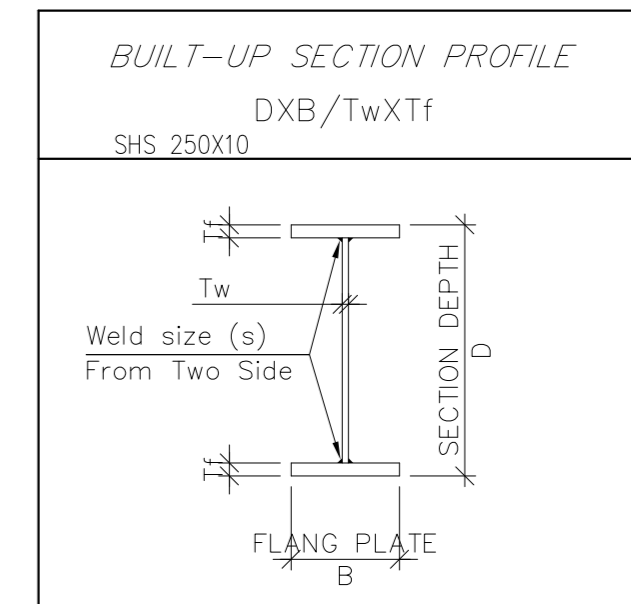
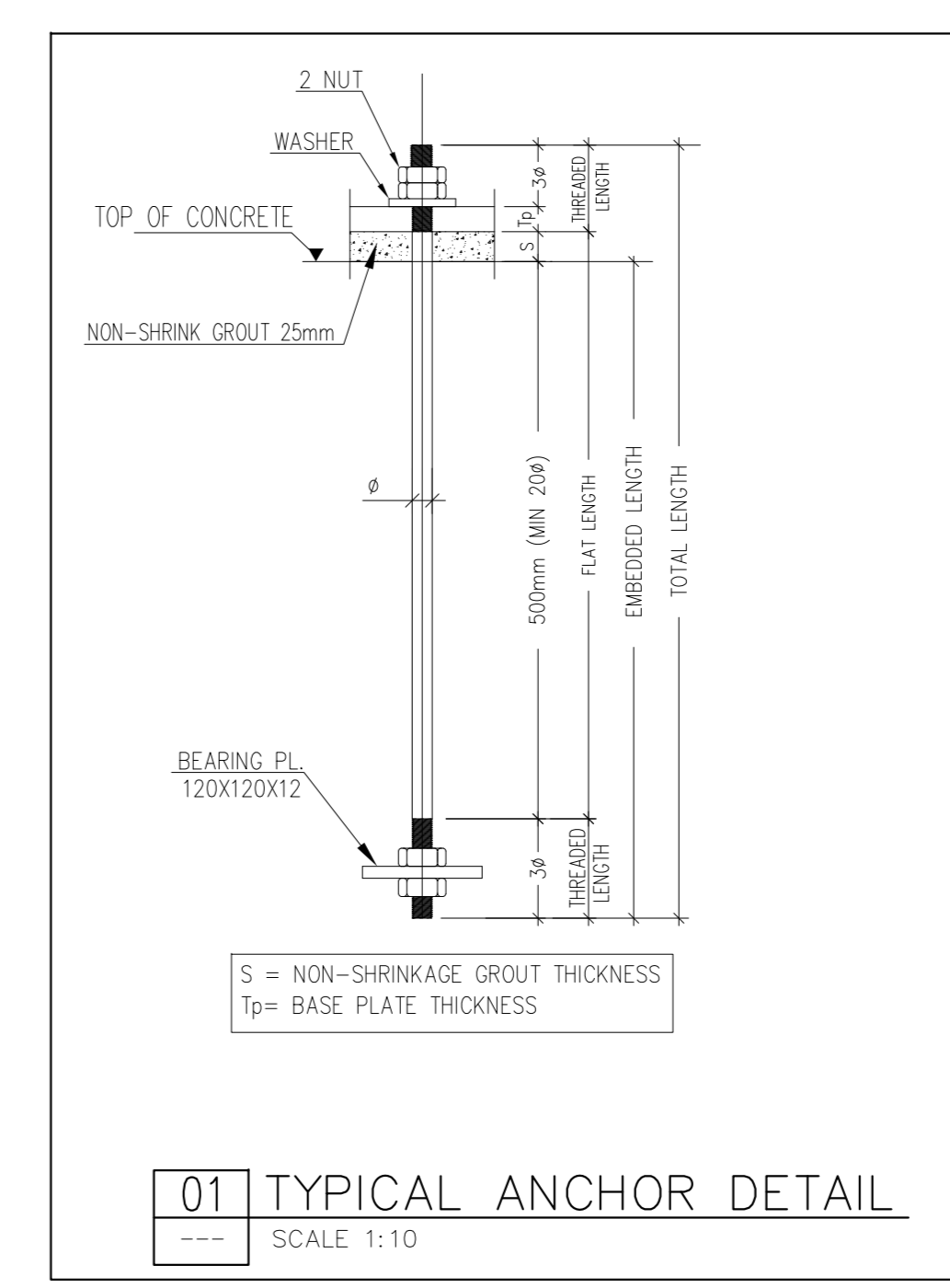
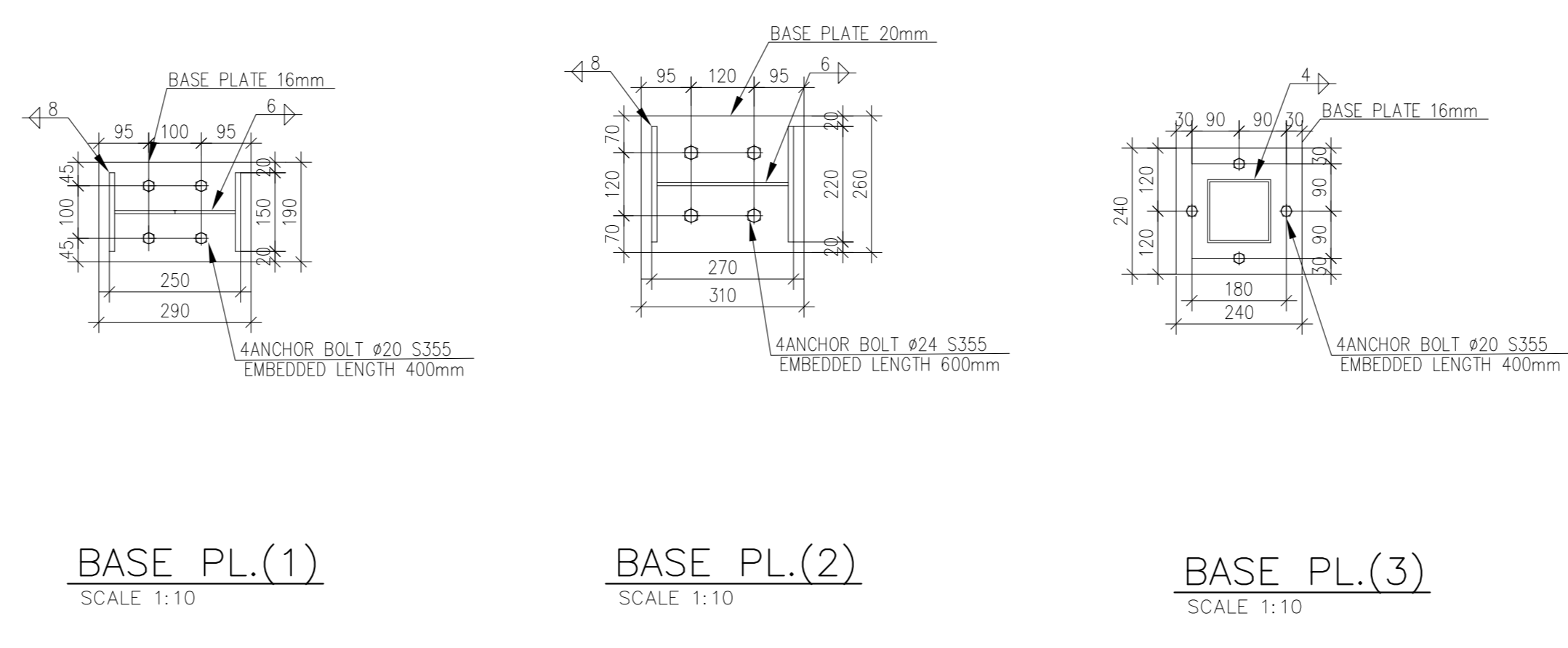
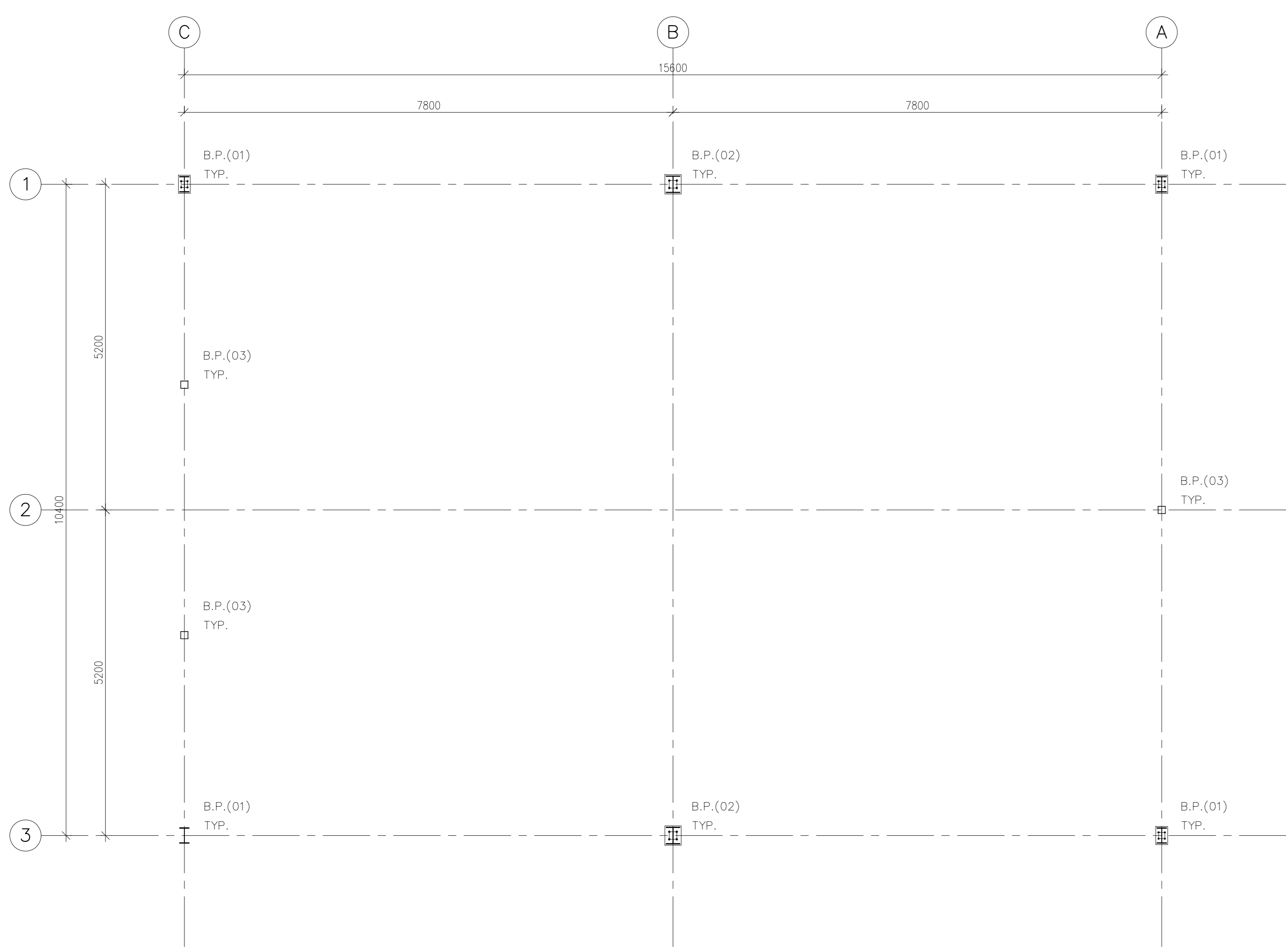


- GENERAL NOTES:**
- 1- ALL DIMENSIONS ARE IN MILLIMETERS AND ALL LEVELS ARE IN METERS.
 - 2- ALL PLANS LAYOUT ARE HORIZONTAL PROJECTION VIEWS.
 - 3- DO NOT SCALE ANY DIMENSIONS FROM DRAWINGS.
 - 4- ALL STRUCTURAL DRAWINGS SHOULD BE READ IN CONJUNCTION WITH SPECIFICATIONS, ARCHITECTURAL AND MECHANICAL DRAWINGS.
 - 5- ALL B.U.S. HOLLOW SECTIONS AND CONNECTION PLATES ARE STEEL S355 (U.O.N.).
 - 6- FINAL DESIGN DRAWINGS SHOULD BE COORDINATED WITH FINAL ARCH. AND MEP BEFORE CONSTRUCTION.

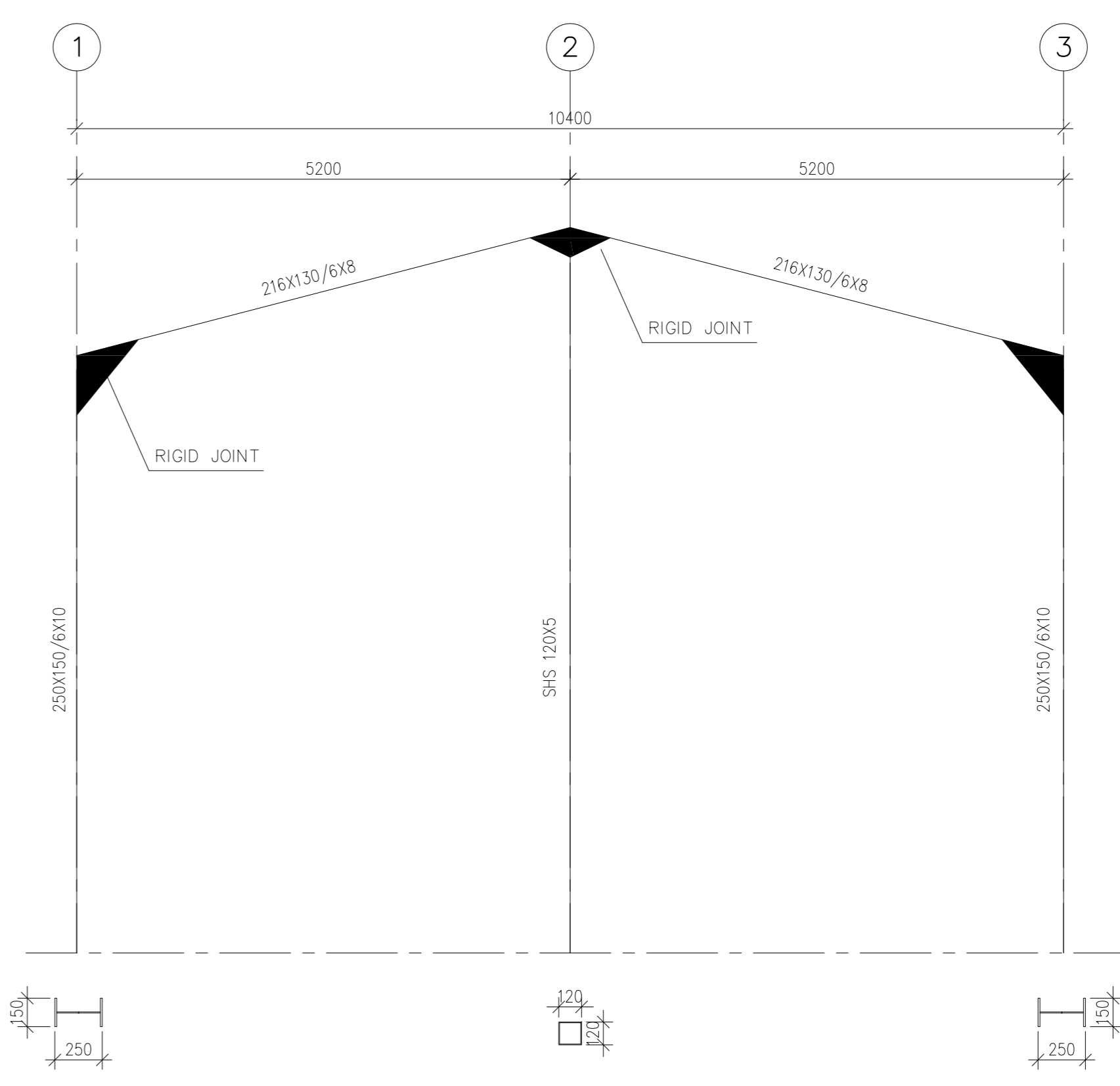
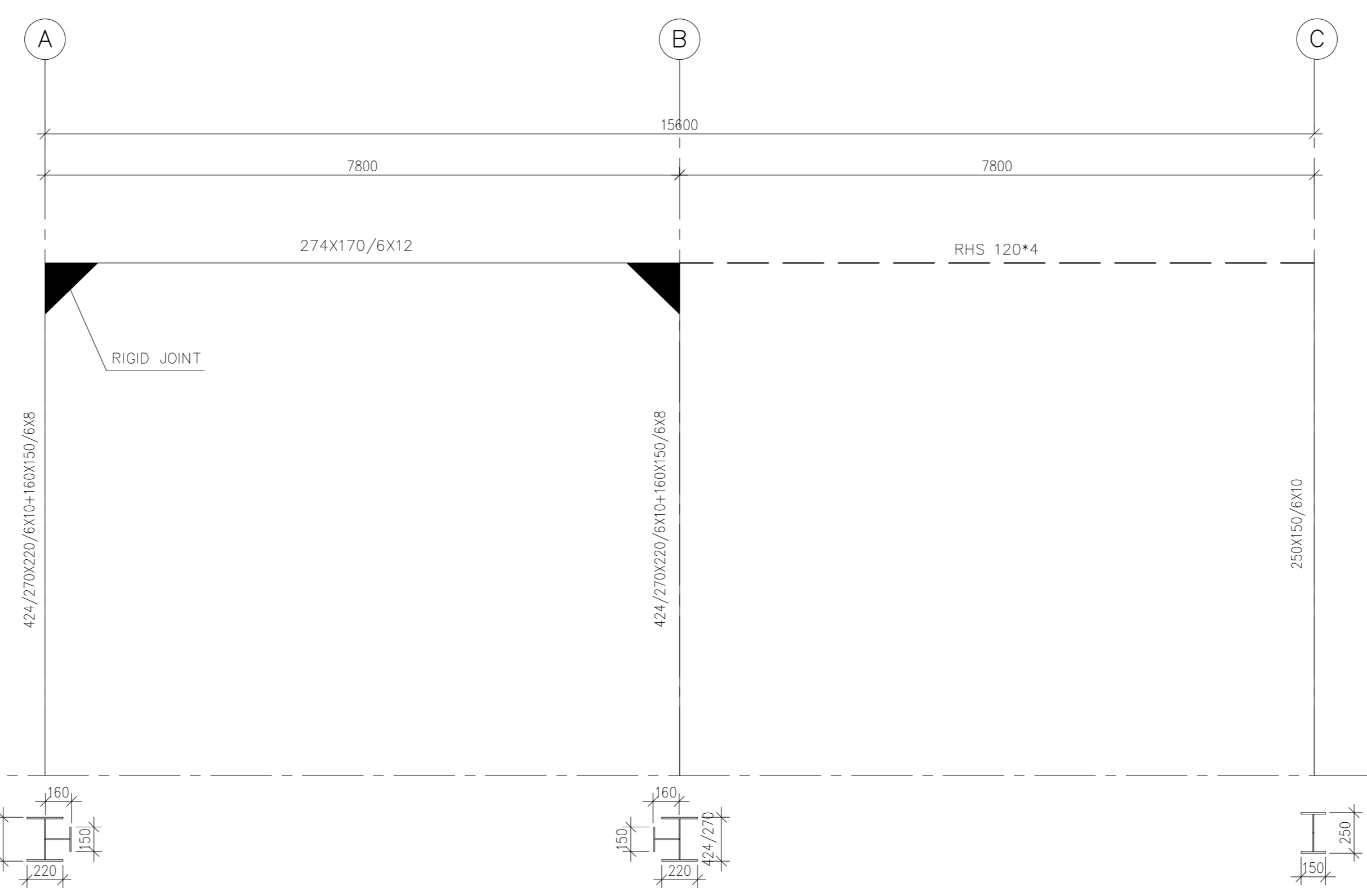
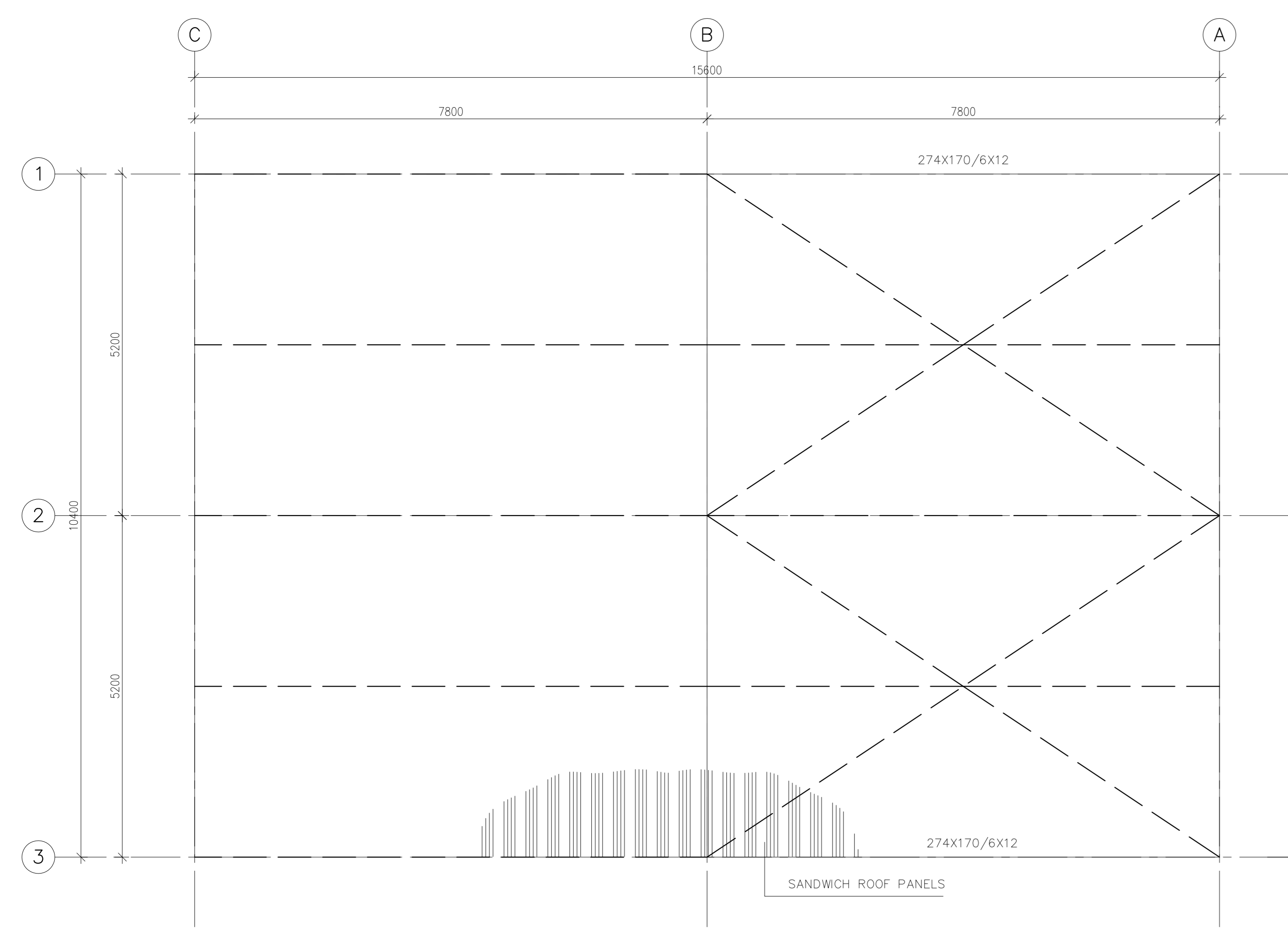
GUIDE DRAWING ONLY



BASE PLATE PLAN
SCALE 1:100

FRAME AT AXIS (C)
SCALE 1:50

FRAME AT AXIS (B)
SCALE 1:50



ALL HZ BRACING ARE RHS 120*4
ROOF FRAMING PLAN
SCALE 1:100

FRAME AT AXES (1&3)
SCALE 1:50

FRAME AT AXIS (A)
SCALE 1:50

0	10-07-20	ISSUED FOR APPROVAL	ARRAWAY	A.SAID	M.PHELMY
PROJECT	DATE	DESCRIPTION	DESIGNED BY	CHECKED BY	APPROVED BY
THIS DRAWING IS THE PROPERTY OF COSMOS-E AND MUST NOT BE REPRODUCED OR ITS CONTENTS DIVULGED WITHOUT WRITTEN PERMISSION					
CLIENT					
MAIN CONSULTANT					
LOCAL CONSULTANT					
PROJECT TITLE					
ZIMBABWE (MUTARE) MEDICAL WAREHOUSE PROJECT					
DRAWING TITLE					
BASE PLATE PLAN GENERAL LAYOUT					
PROJECT NO.	Z2016	SCALE:	N.T.S		
DRAWING NO.	Z 2 0 1 6	2 0 0	S D E	0 0 1	1
PROJECT NUMBER		DRAWING NO.		DOC. DESCRIPTION	