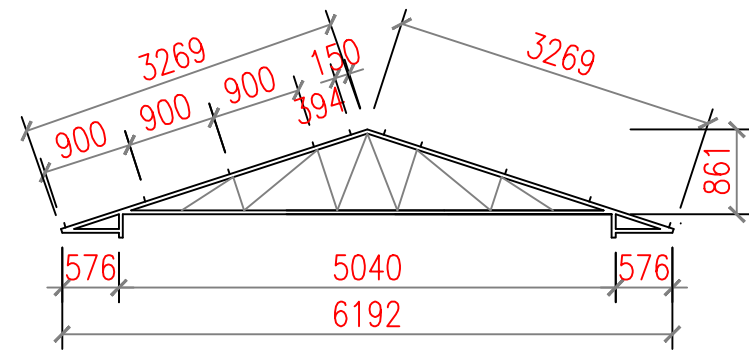


ROOF PLAN (SICK BAY)

1/100



TRUSS TYPE (5NRS)

1/100