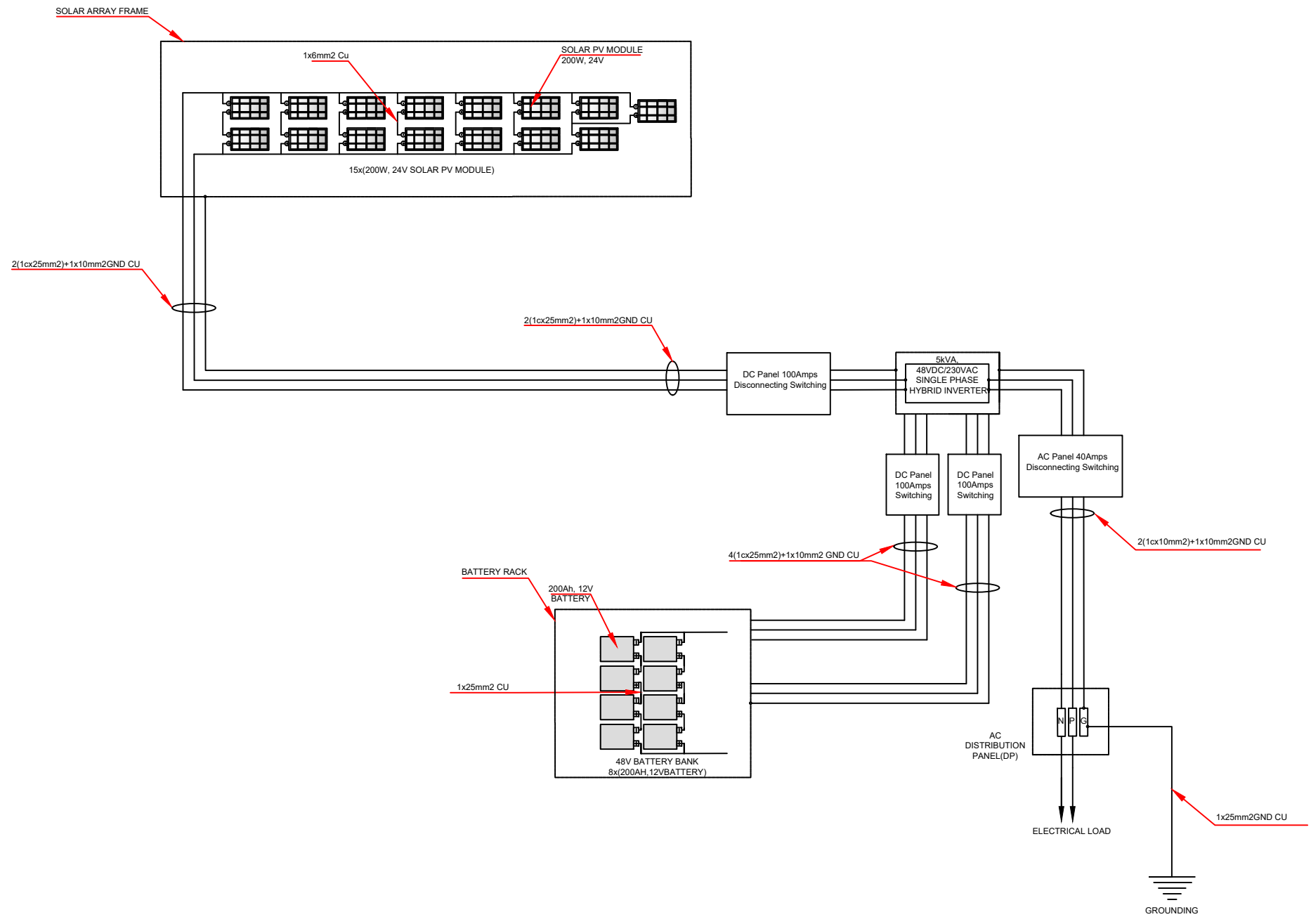




1 2 3 4 5

D  
C  
B  
A



1  
SP02

Solar Power System For Server Room

SCALE:

REVISION	DATE	APPROVED
1		
2		
3		
4		
5		
6		
7		
8		
9		
10		
11		
12		
13		
14		
15		
16		
17		
18		
19		
20		
21		
22		
23		
24		
25		
26		
27		
28		
29		
30		
31		
32		
33		
34		
35		
36		
37		
38		
39		
40		
41		
42		
43		
44		
45		
46		
47		
48		
49		
50		
51		
52		
53		
54		
55		
56		
57		
58		
59		
60		
61		
62		
63		
64		
65		
66		
67		
68		
69		
70		
71		
72		
73		
74		
75		
76		
77		
78		
79		
80		
81		
82		
83		
84		
85		
86		
87		
88		
89		
90		
91		
92		
93		
94		
95		
96		
97		
98		
99		
100		

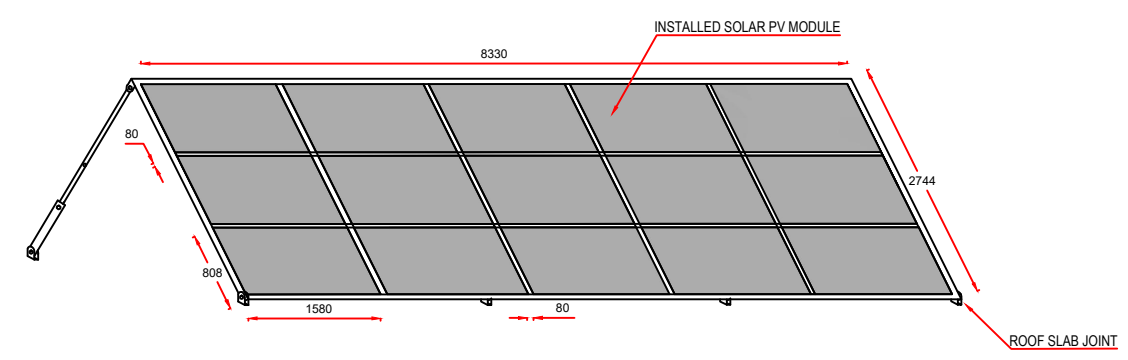
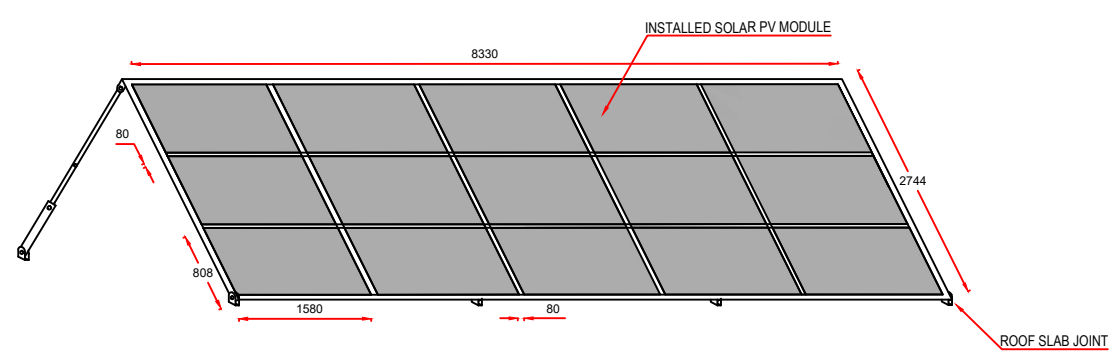
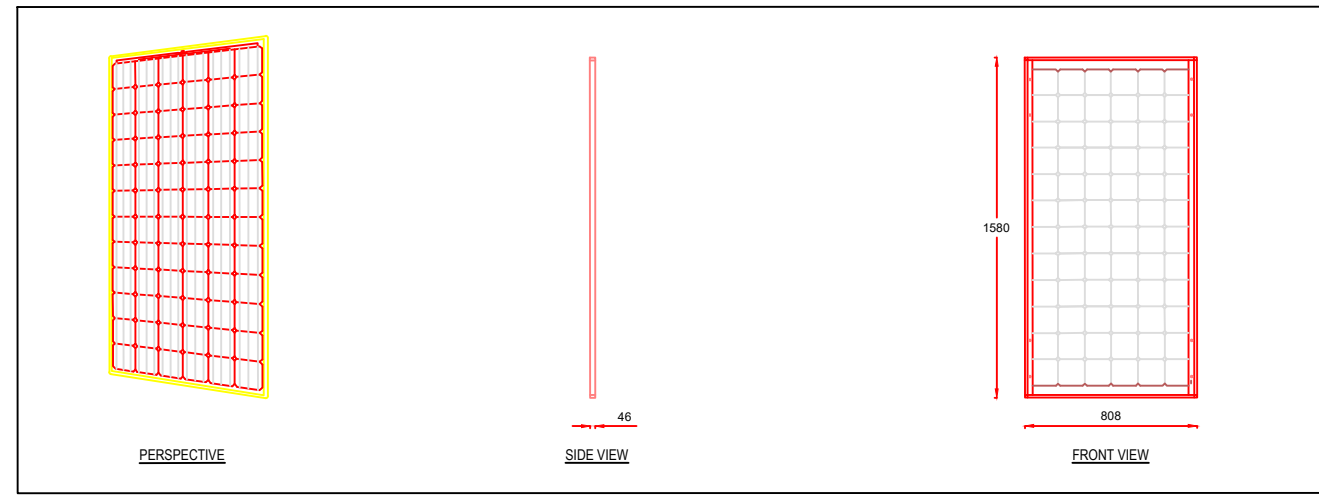
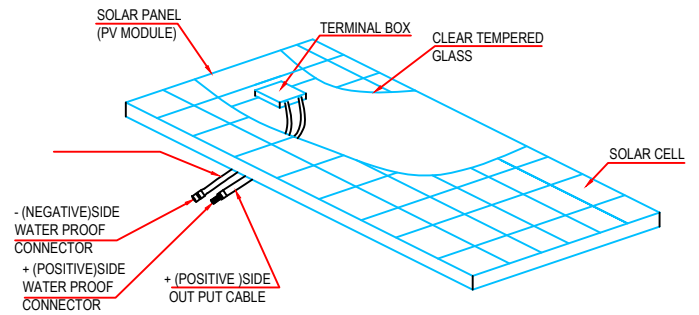
DESIGNED BY:	DATE:
W. Babar	04.10.2020
CHECKED BY:	SUBMITTED BY:
XX	UNDP/LOFTA
APPROVED BY:	CONTRACT NO.:
Ms. Ammar/Amirah	XX
	T.O. : 01
UNITED NATIONS DEVELOPMENT PROGRAM	
LOTFA PROJECT AFGHANISTAN	
KABUL, MOI	
ENGINEERING DIVISION	
PERS PROJECT	

UNDP / LOTFA AFGHANISTAN  
KABUL, AFGHANISTAN  
PD11  
SOLAR POWER SYSTEMS FOR SERVER ROOM

SHEET NUMBER  
SP-02

1 2 3 4 5

D  
C  
B  
A

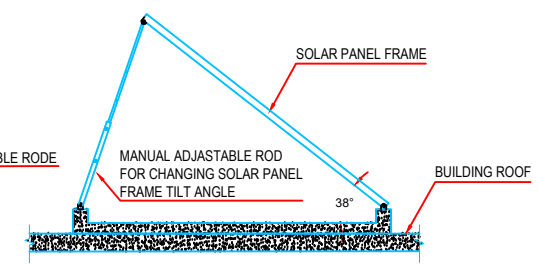
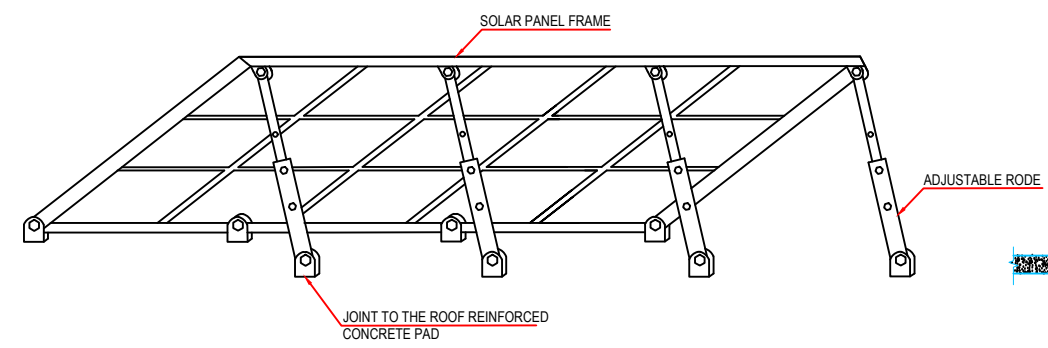
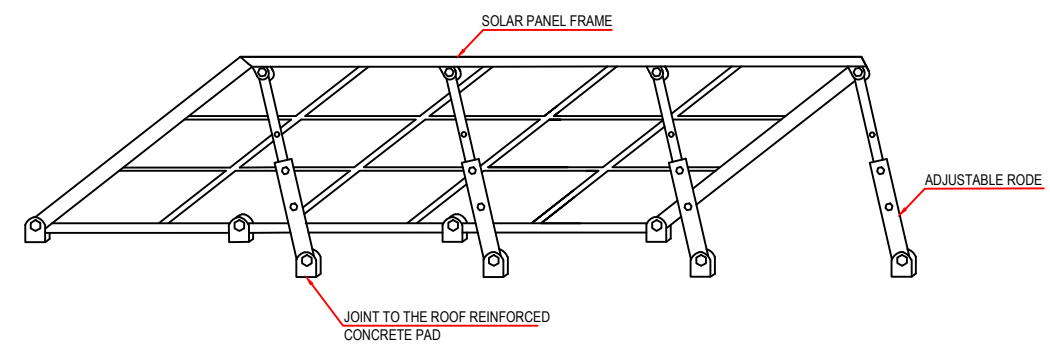


SCHEDULE FOR ADJUSTING THE SOLAR PANELS TILT ANGLE

SEASON	TILT ANGLE	THE BEST DATE TO CHANGE THE SOLAR PANEL TILT ANGLE
WINTER	38.24	OCT 7 TO MARCH 5
SPRING	13.38	MARCH 5 TO APRIL 18
SUMMER	-9.58	APRIL 18 TO AUGUST 24
AUTUMN	13.38	AUGUST 24 TO OCT 7

1 Solar Power System For Radio Room  
SP03 SCALE:

2 Solar Power System for Server Room  
SP03 SCALE:



1 Photovoltaic Solar Power System Installation  
SP03 SCALE:

REV No	DESCRIPTION	Date	APPROVED
1	REVISED	XX	XX
2	REVISED	XX	XX
3	REVISED	XX	XX
4	REVISED	XX	XX

SCALE: 1:40

DESIGNED BY:	DATE:	04.10.2020
CHECKED BY:	SUBMITTED BY:	UNDP/LOTTA
APPROVED BY:	CONTRACT NO.:	XX
	T.O.:	01

UNITED NATIONS DEVELOPMENT PROGRAM  
LOTFA PROJECT AFGHANISTAN  
KABUL MOI

ENGINEERING DIVISION  
PERS PROJECT

UNDP / LOTFA AFGHANISTAN  
KABUL, AFGHANISTAN  
PD11  
SOLAR POWER SYSTEMS FOR RADIO AND SERVER ROOMS

SHEET NUMBER  
SP-03