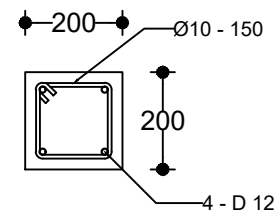
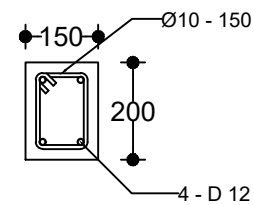


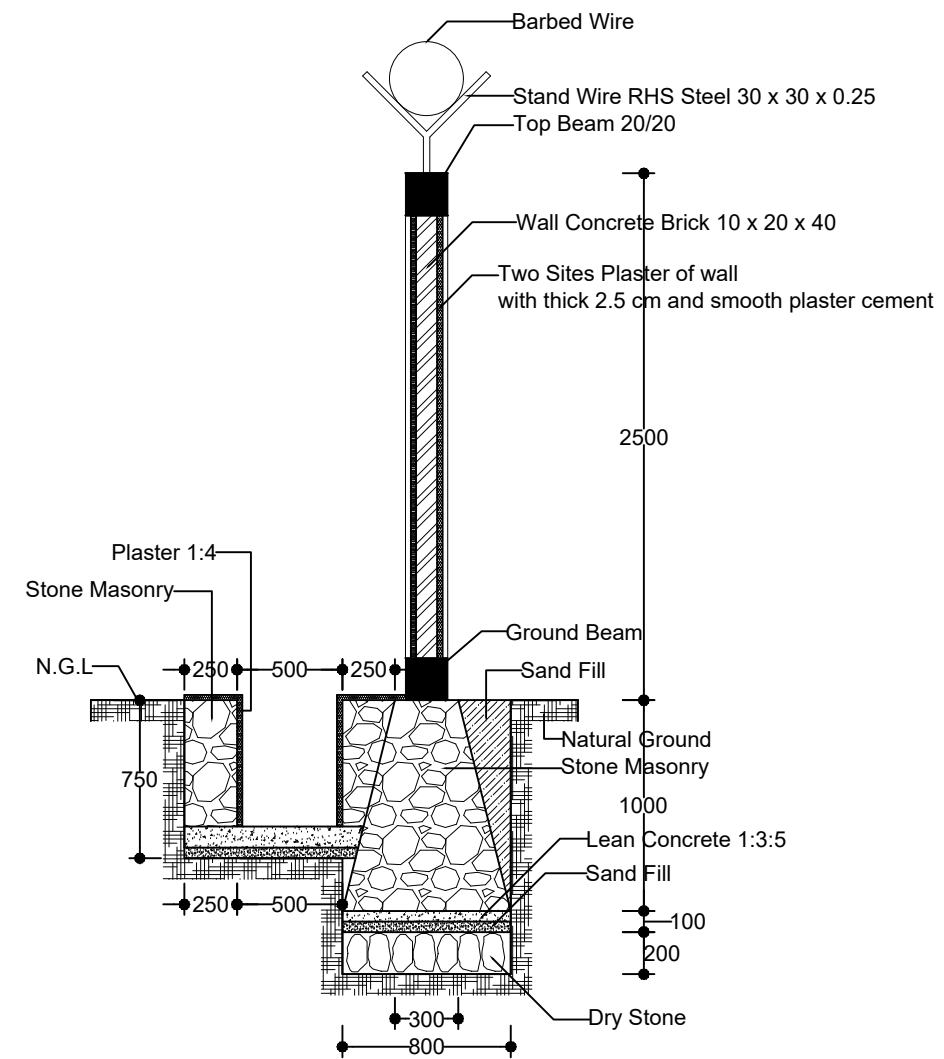
DETAIL OF SECTION A



DETAIL of Column



DETAIL Top Beam and Ground Beam



DETAIL OF SECTION B

PROJECT OWNER	PROJECT NAME:	DRAWING NAME		SCALE	CHECKED BY :	APPROVED BY :	PAGE NO :
	Construction of New Fence	Detail of Section A Detail of Section B and Detail Beam and Column		1:50			<b>02</b>
	DRAWING BY	DESIGNED BY	PROJECT LOCATION				DRAWING NO :
	Nelson P Vicente National Engineer of GCF Project	Nelson P Vicente National Engineer of GCF Project	UNDP Compound Caicoli, Dili, Timor Leste	MM			
					DATE:...../...../2021	DATE:...../...../2021	