

Note: SFL 0.00 relates to absolute level DVR90 (+2.500)

Rev.	Date/ Dato	Description/ Beskrivelse	Prpd.	Chkd.	Appd.
0.0	03.02.2021	First Issue	CO	AN	FP

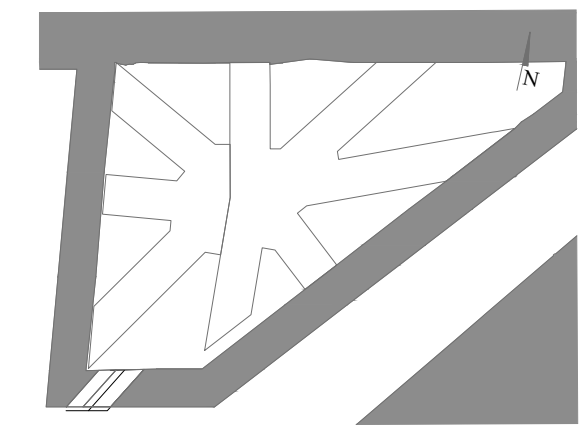


ARUP

Axel Towers Axeltorv 2K 3rd Floor 1609 Copenhagen V
 Tel: +45 3377 0760
 www.arup.com

Client/Bygherre
UN Common Services

Project Title/Sag
UN City Refurbishment Projects
Access Doors
 Key Plan/Oversigtsplan

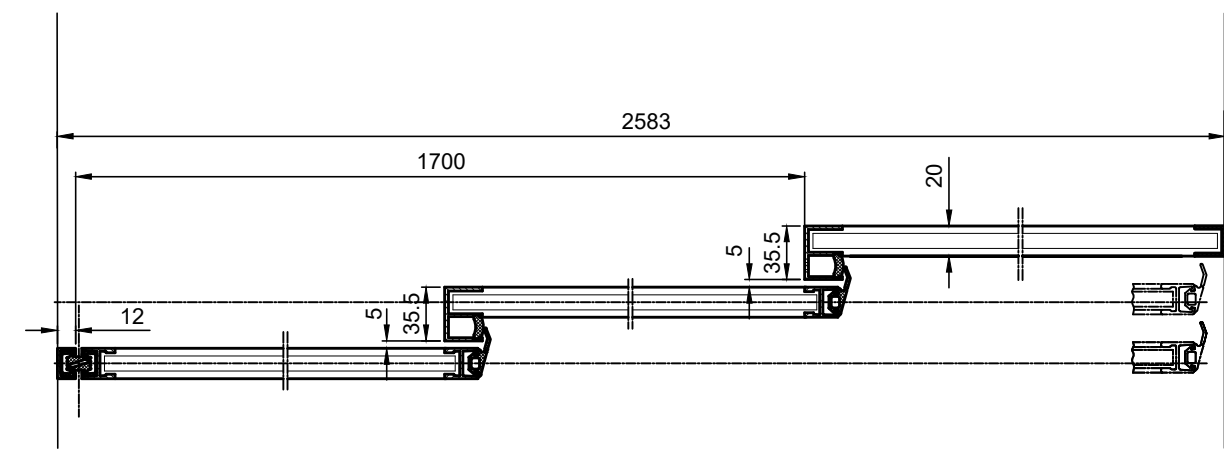


Drawing Title/Emne
Telescope Door Details

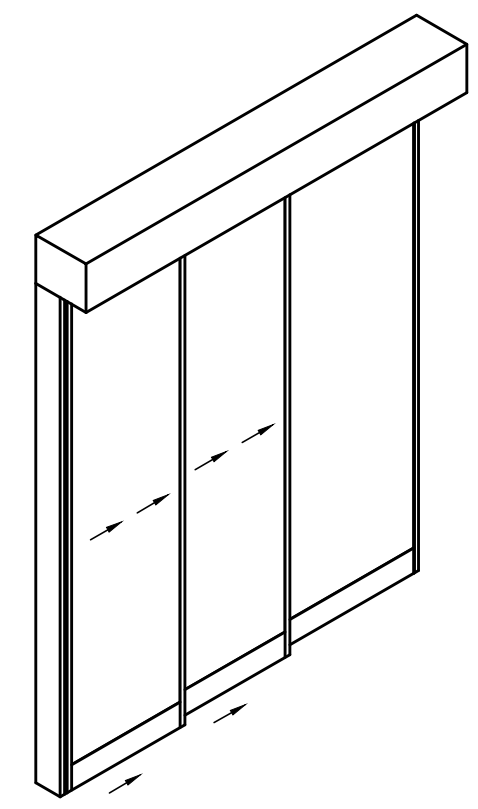
Scale at A3/
 As indicated
 Role
 Architecture
 Suitability
 Issue for Tender

Arup Job No/Sagsnummer 267199-30	Rev 0.0
--	-------------------

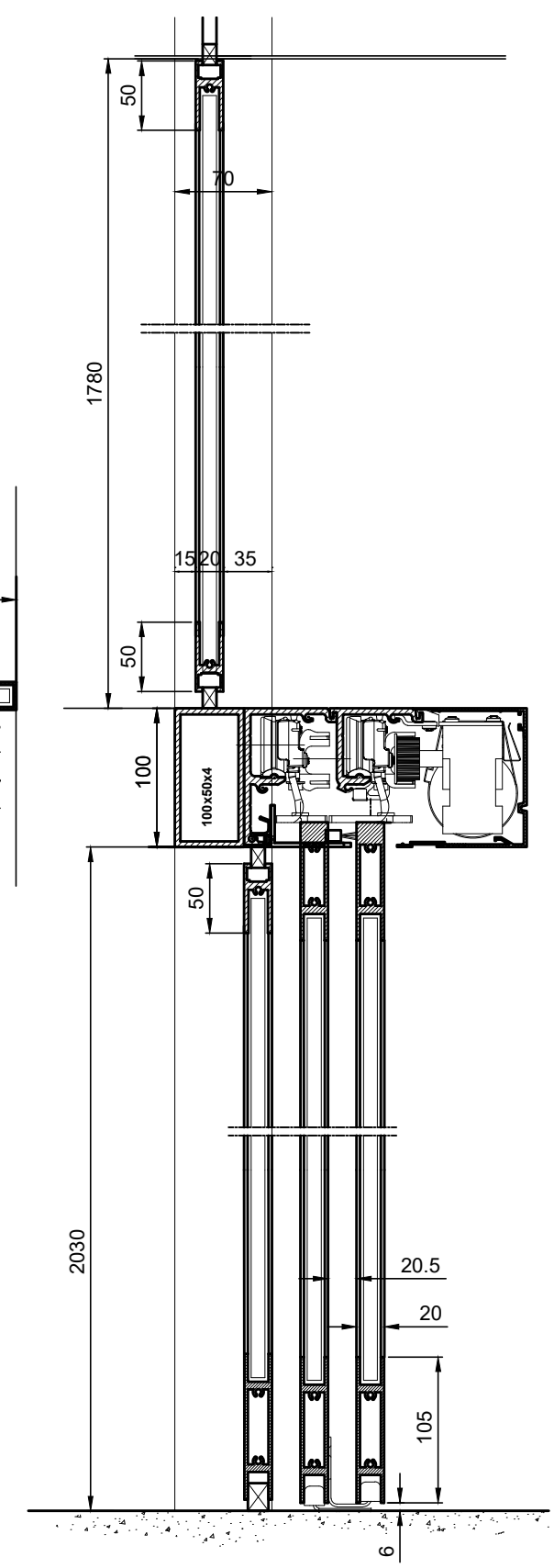
Name/Tegningsnummer
ACC-ARUP-ZZ-00-DR-A-4001



Plan
1:5



Isometric View
1:5



Vertical Section
1:5