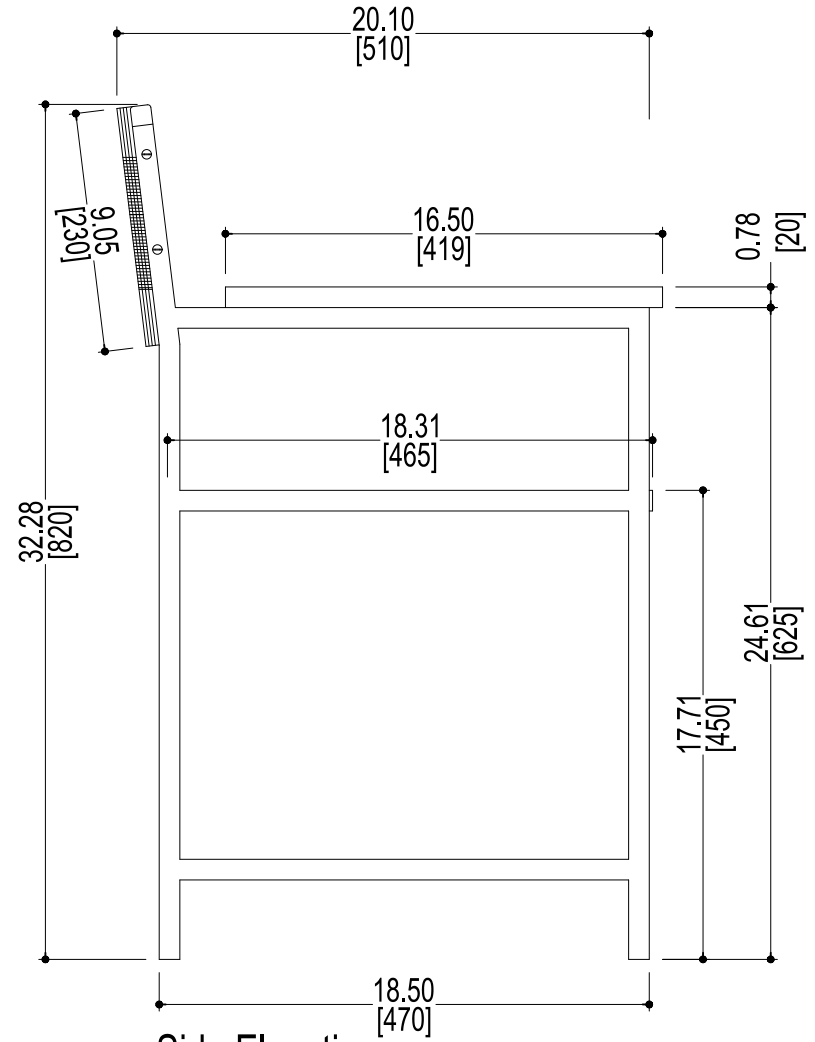


Front Elevation



Side Elevation