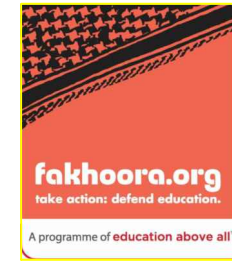




United Nations Development Programme
Programme of Assistance the Palestinian People



EDUCATION ABOVE ALL
Al Fakhoora Programme

Project Title

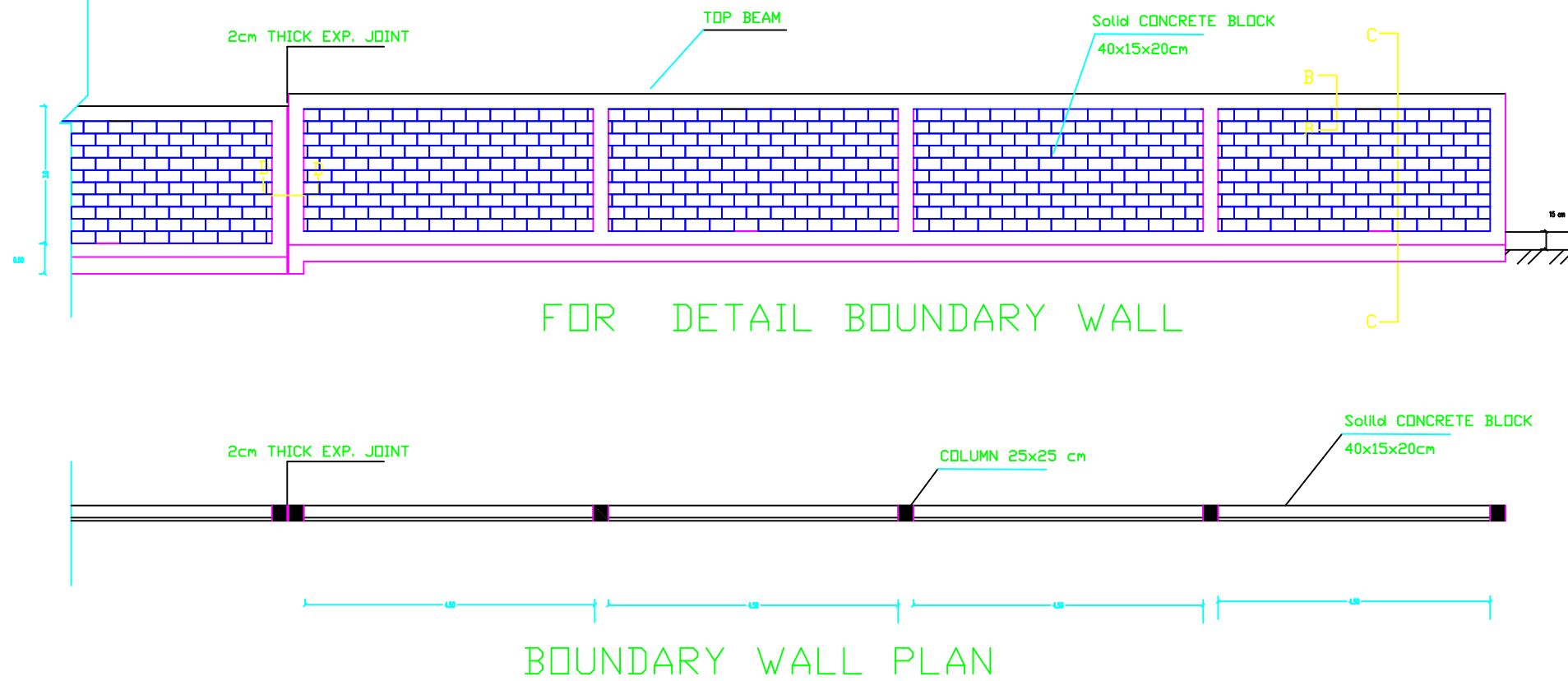
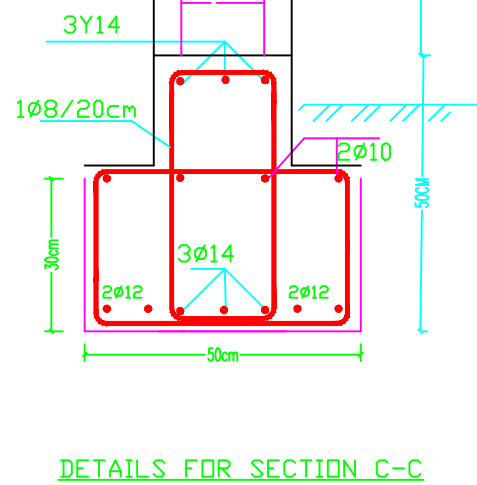
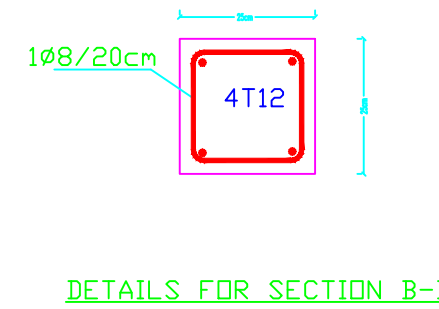
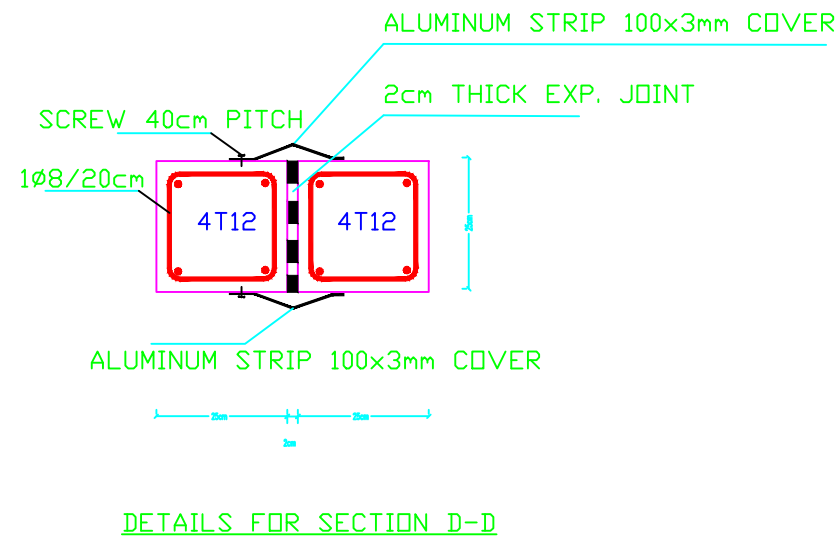
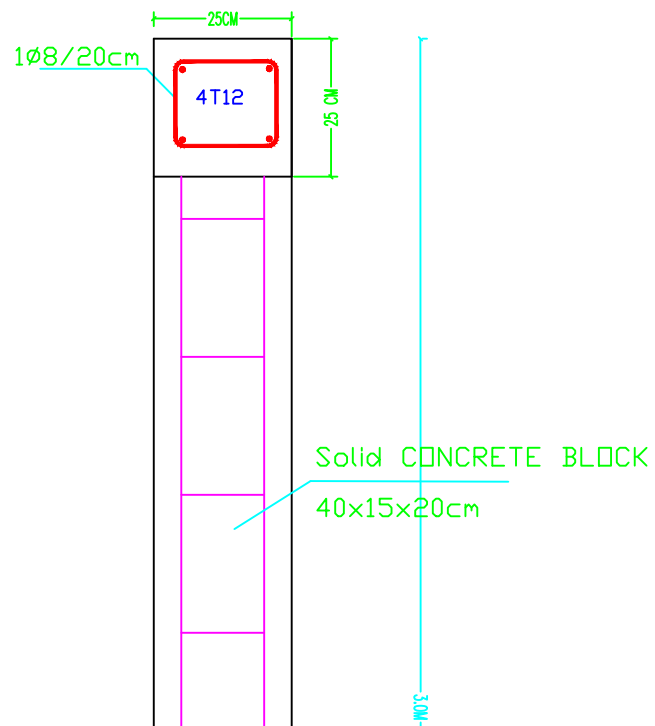
RIGHT TO EDUCATION

Project Name

Rehabilitation Works For Dar Al-Arqam Private Schools

April 2015

External Works



NOTES:

- concrete class 300 kg/cm
- cover to steel incl.
- stirrups:
 - in columns: 25 mm
 - in slabs: 25 mm
 - in beams: 25 mm
 - in ground beams: 50 mm
 - in Foundations: 50 mm
 - in columns' necks: 50 mm
 - in ground slabs: 40 mm
- ribbed high yield steel yield strength = 410 N/mm²
- mild steel yield strength = 250 N/mm²
- Standard radii of bends and hooks as given below to be used unless specifically shown otherwise.

bar size	BENDS		HOOKS	
	grade 250 (type and grade D)	grade 410 (type and grade D)	r	r
6	12			
8	16			
10	20			
12	24			
14	28			
16	32			

Foundations, Necks, and Ground beam to be painted with Two layers of bitumen type 75

Specific materials for using in Expansion Joint :-

- Bituminous Solutix
- Fiber board Thickness = 20mm.
- Cork with thick. = 20mm.
- Polurethin, thick. = 20mm. with density not less than 40 kg/m³
- Polystyren with density not less than 40 kg/m³

FOR TENDER ONLY

DONATED BY



EDUCATION ABOVE ALL
Al Fakhoora Programme

IMPLEMENTED BY



United Nations Development Programme
Programme of Assistance the Palestinian People

Project Name

RIGHT TO EDUCATION

School name

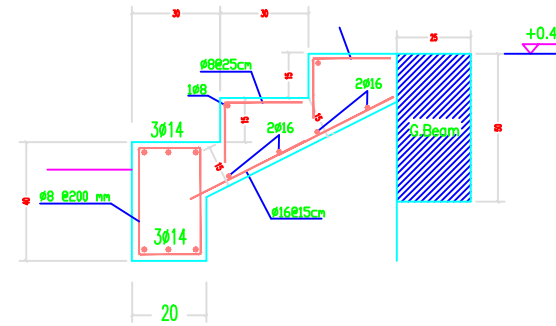
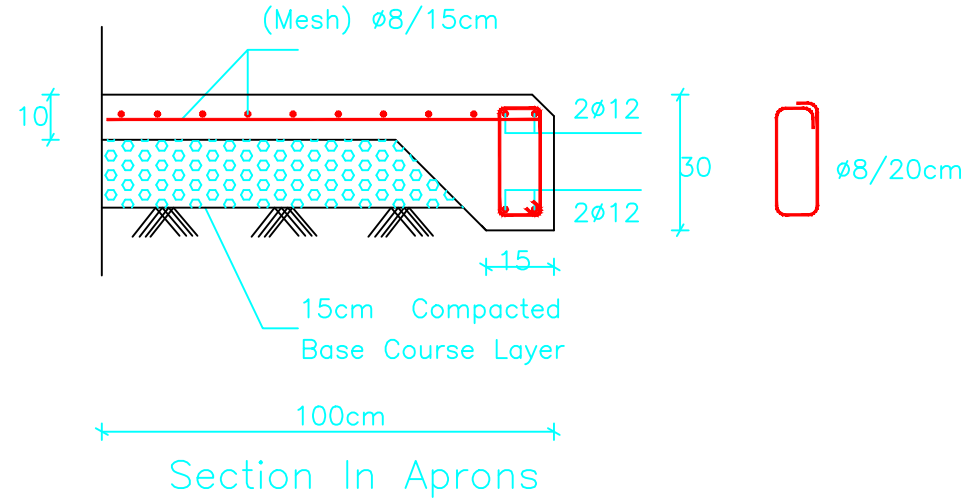
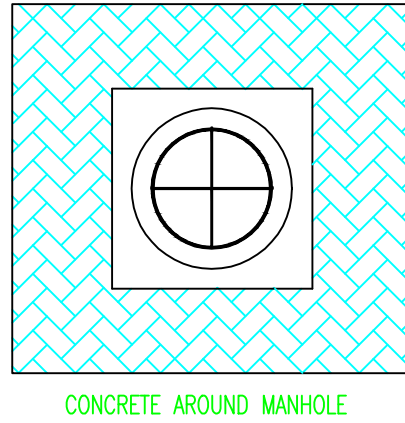
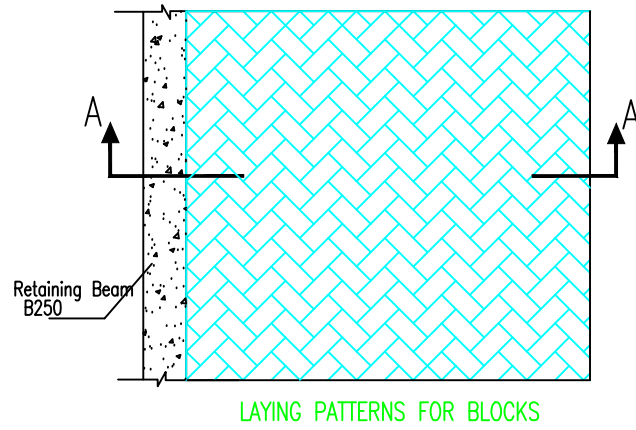
Dar AL- Arqam school

Drawing name

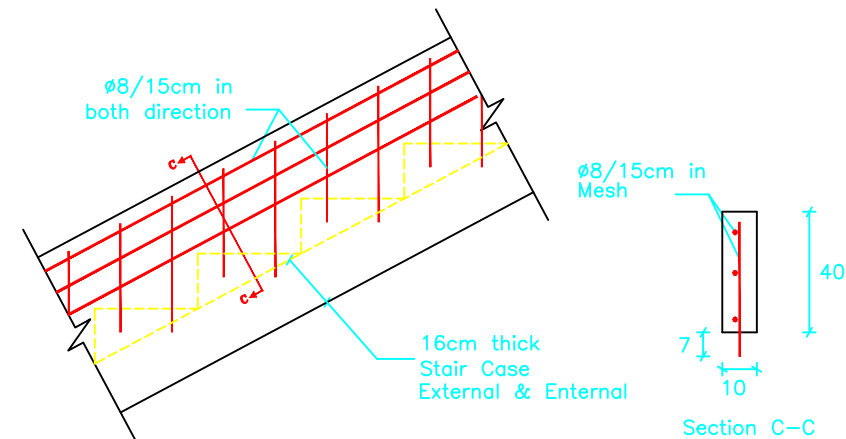
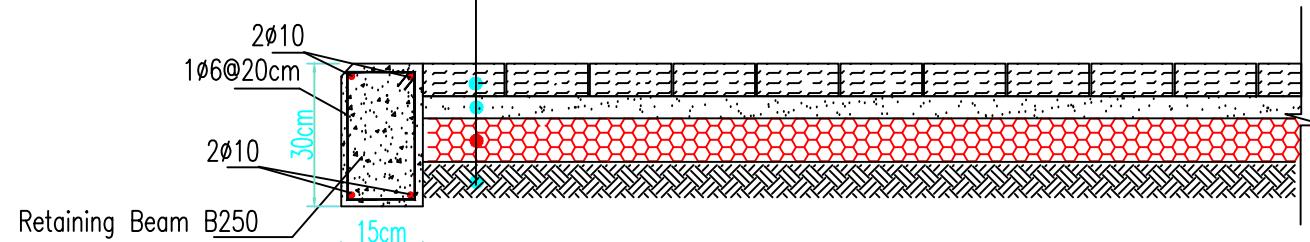
FENCE DETAILS

Symbol	Drawing No.	Rev. No.
RES	EW 01	R1

The Contractor has to submit detailed Shop Drawings of all works for approval Of the supervisor Engineer



Interlock Concrete Blocks 8cm
 Sand Layer 3-5cm
 20 CM compacted (100%)BASECOARSE
 Compacted Soil (98%)



NOTES:

STEEL REINFORCEMENT

Steel type: deformed steel bars.
 Yield strength: $f_y = 4200$

CONCRETE COMPRESSIVE STRENGTH

For main building:

Plain concrete under foundation = 150 kg/cm²
 Foundation = 250 kg/cm²
 Frames: Columns = 300 kg/cm²
 Beams = 300 kg/cm²
 Ground beams = 300 kg/cm²
 Ground slabs = 200 kg/cm²
 Stairs = 300 kg/cm²

For other buildings:

Foundation = 250 kg/cm²
 Columns = 300 kg/cm²
 Ground beams = 250 kg/cm²
 Slabs = 250 kg/cm²
 Other items = 250 kg/cm²

CONCRETE COVERS

Foundation = 5-7cm
 Column Necks = 5 cm
 Columns = 2.5 cm
 Beams = 2.5 cm
 Ground beams:
 bottom cover = 5.0 cm
 Top & side cover = 2.5 cm

OTHER NOTES

- In main building, foundation & Col's are designed to carry three floors only
- Minimum excavation depth is 1.5 m
- Backfilling should be made by using selected soil on layers, max. 25cm thick each according to specification.

FOR TENDER ONLY

DONATED BY



EDUCATION ABOVE ALL
 Al Fakhora Programme

IMPLEMENTED BY



United Nations Development Programme
 Programme of Assistance the Palestinian People

Project Name

RIGHT TO EDUCATION

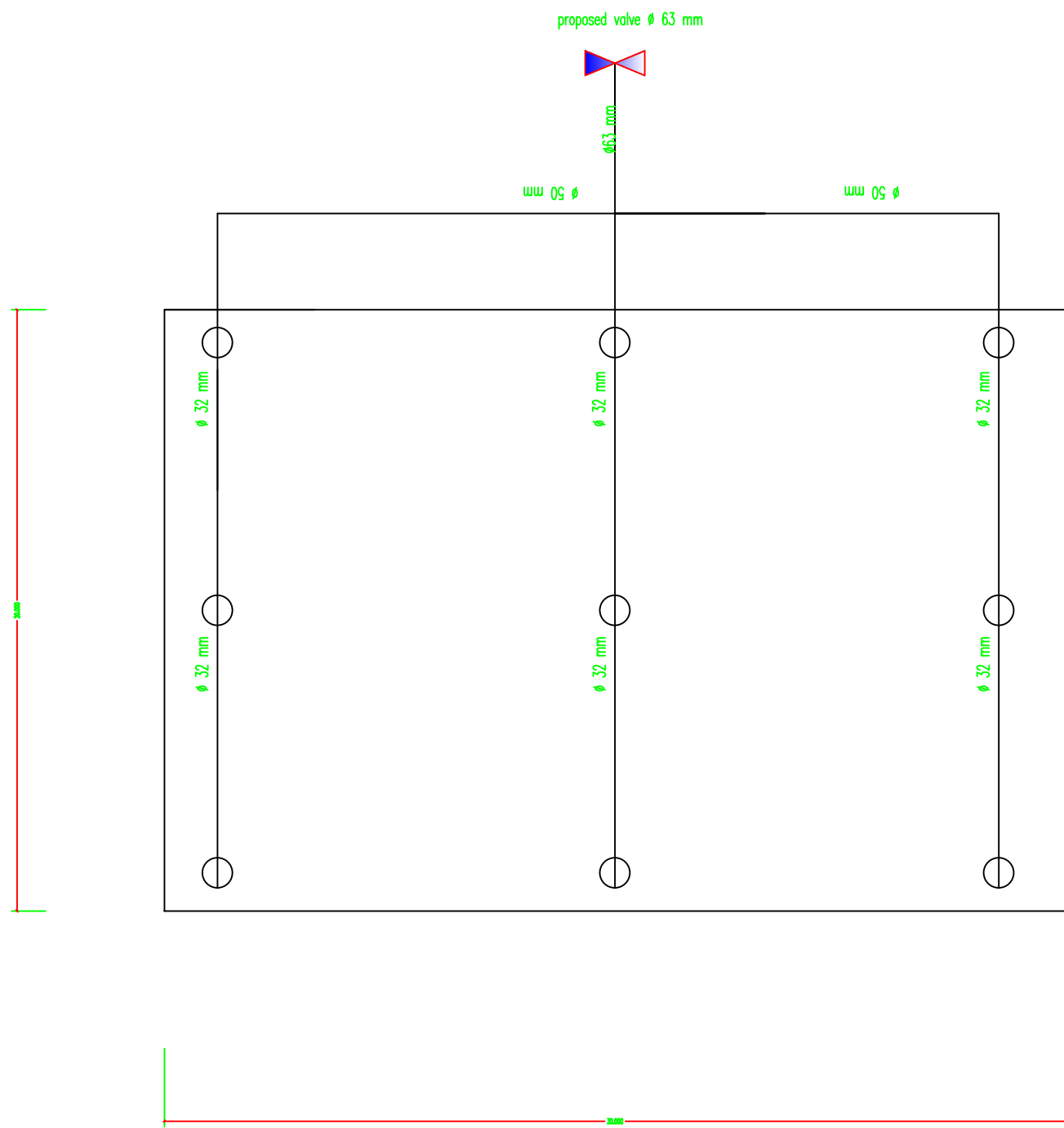
School name

Dar AL- Arqam school

Drawing name

Aprons detail, handrail concrete wall
 stair case & Interlock details

Symbol	Drawing No.	Rev. No.
RES	EW 02	R1



NOTES:

- STEEL REINFORCEMENT**
 Steel type: deformed steel bars.
 Yield strength: $f_y = 4200$
- CONCRETE COMPRESSIVE STRENGTH**
For main building:
 Plain concrete = 150 kg/cm²
 under foundation = 250 kg/cm²
 Foundation = 250 kg/cm²
 Frames: Columns = 300 kg/cm²
 Beams = 300 kg/cm²
 Ground beams = 300 kg/cm²
 Ground slabs = 200 kg/cm²
 Stairs = 300 kg/cm²
- For other buildings:**
 Foundation = 250 kg/cm²
 Columns = 300 kg/cm²
 Ground beams = 250 kg/cm²
 Slabs = 250 kg/cm²
 Other items = 250 kg/cm²
- CONCRETE COVERS**
 Foundation = 5-7cm
 Column Necks = 5 cm
 Columns = 2.5 cm
 Beams = 2.5 cm
 Ground beams:
 bottom cover = 5.0 cm
 Top & side cover = 2.5 cm

- OTHER NOTES**
- In main building, foundation & Col's are designed to carry three floors only
 - Minimum excavation depth is 1.5 m
 - Backfilling should be made by using selected soil on layers, max. 25cm thick each according to specification.

FOR TENDER ONLY

DONATED BY



EDUCATION ABOVE ALL
 Al Fakhora Programme

IMPLEMENTED BY



United Nations Development Programme
 Programme of Assistance the Palestinian People

Project Name
 RIGHT TO EDUCATION

School name
 Dar AL- Arqam school

Drawing name
 Aprons detail, handrail concrete wall
 stair case & Interlock details

Symbol	Drawing No.	Rev. No.
RES	EW 02	01